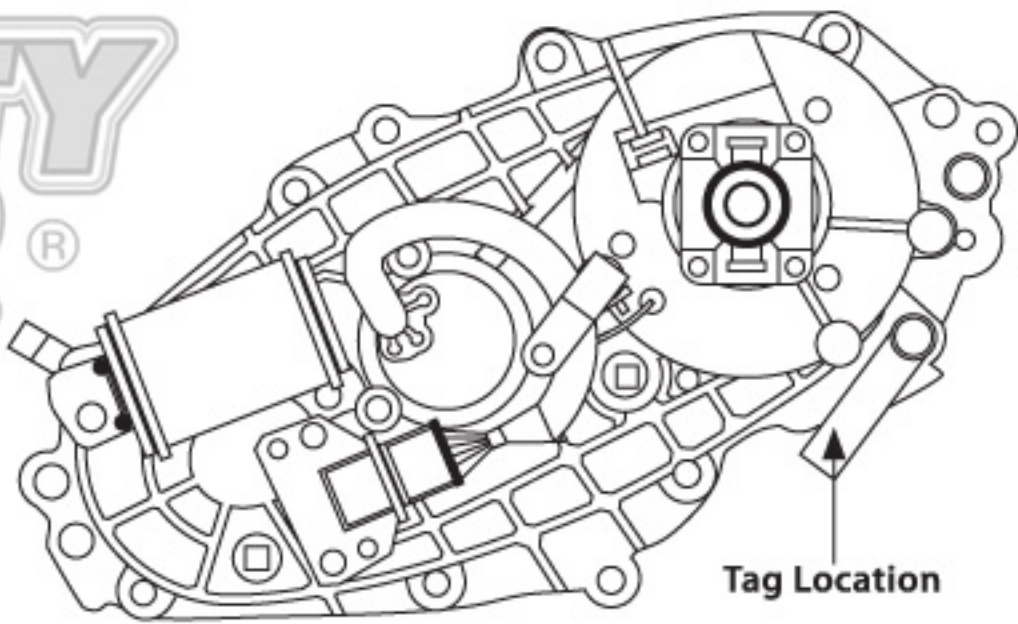


HOW TO IDENTIFY BORG WARNER TRANSFER CASES



**Borg Warner Automotive
Assembly Code Nº**

F141 1354-27
200,002 EOTA-RB

**Vehicle Manufacturer's
Transfer Case Assembly Nº**

**Borg Warner Automotive
Serial Nº**

Build Date

□ □ □ □

- Shift Nº
- Last Digit Of Year
- Day of Month
- Month: Jan(A) Thru Dec(L)

**Example shown:
June 1, 1984, Shift 1**