



Roadranger®

More time on the road®

Illustrated Parts List

RTLO-18918B

November 2012

Contents

| | |
|---|----|
| How To Use The Illustrated Parts List | 3 |
| AFTERMARKET TRANSMISSIONS..... | 4 |
| AUXILIARY DRIVE GEAR | 5 |
| CASE (AUX) | 6 |
| CASE (FRONT) | 9 |
| CASE (FRONT) FORCED LUBE | 12 |
| COUNTERSHAFT & BRGS(AUX) | 15 |
| COUNTERSHAFT ASSY..... | 16 |
| FILTER REGULATOR..... | 18 |
| H & C W/A-5000 VALVE | 19 |
| HEAT EXCHANGER | 21 |
| INPUT SHAFT & DRIVE GEAR | 24 |
| INTEGRAL OIL PUMP | 25 |
| INTEGRAL OIL PUMP (FORCED LUBE)..... | 27 |
| ISOLATORS | 29 |
| KITS & ASSEMBLIES | 30 |
| LEVERS/HOUSINGS..... | 34 |
| MAINSHAFT & SYNCHRO(AUX) | 37 |
| MAINSHAFT ASSY | 39 |
| MISCELLANEOUS | 41 |
| OIL COOLER..... | 42 |
| OIL FILTER..... | 44 |
| RANGE CYLINDER..... | 46 |
| REVERSE IDLER | 47 |
| ROADRANGER VALVE | 50 |
| SHIFT BAR HOUSING | 51 |
| SLAVE VALVE - A-5000 | 54 |
| SPLITTER CYLINDER | 55 |

How To Use The Illustrated Parts List

The information contained in this document is subject to frequent updates. Therefore, for the latest information available, please visit the interactive Electronic Parts Catalog at www.roadranger.com/epc.

Model Designation or Nomenclature

- For information regarding Model Designation and Nomenclature, visit www.roadranger.com.

Kits and Assemblies (K/A's)

- Kits and Assemblies contain groups of individual or assembled parts developed for optimal replacement or repair of a service problem.
- Kits and Assemblies are shown with applicable parts groupings in the parts listings.

Identifying Kits and Assemblies

A- Part numbers beginning with the letter 'A' are pre-assembled Production Assemblies

K- Part numbers beginning with the letter 'K' are kits that are not assembled

S- Part numbers beginning with the letter 'S' are pre-assembled Service Assemblies

- Note: Some Production Assemblies do not begin with a letter prefix (Midrange only).

Illustrations

- Illustrations show parts in assembly groups.
- Item numbers on illustrations correspond with parts listings on pages adjacent to the illustration.
- Notes are included on illustrations where additional information is needed.

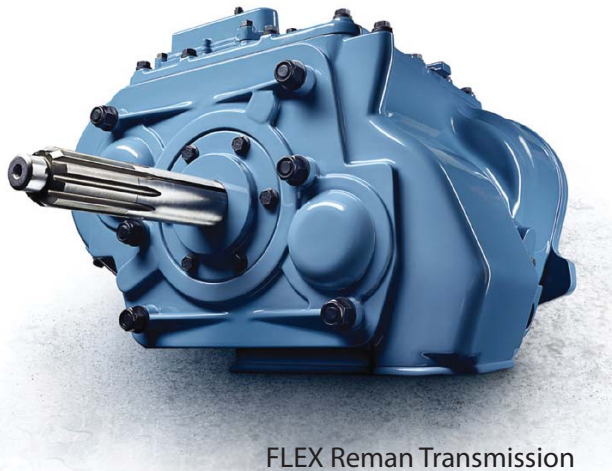
Parts Listing

Parts listings are defined by parts groupings and are broken down by service assemblies. Parts listings identify a part for servicing with the following categories

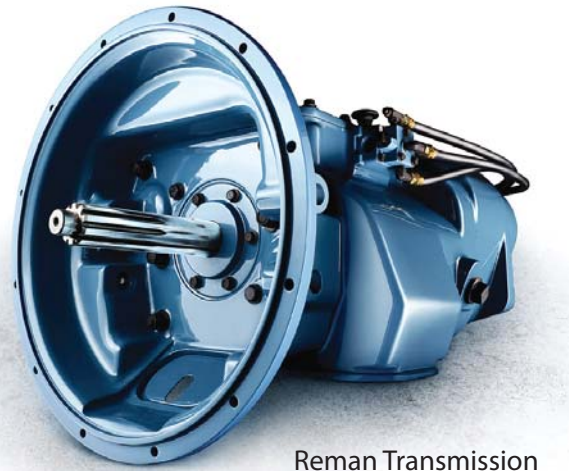
- **Item Number** - corresponding with numbers on illustrations for part identification.
- **Current Part** - identifies part as it is available for service.
- **Description** - specifies part name or description.
- **Replaced Part** - quantity quantity required for assembly.
- **Quantity** - defines unique characteristics or requirements.
- **Notes** - indicates Kits or Assemblies that contain a particular part.
- **Kits/Assy's Where Used**



BACKED BY
Roadranger
SUPPORT



FLEX Reman Transmission



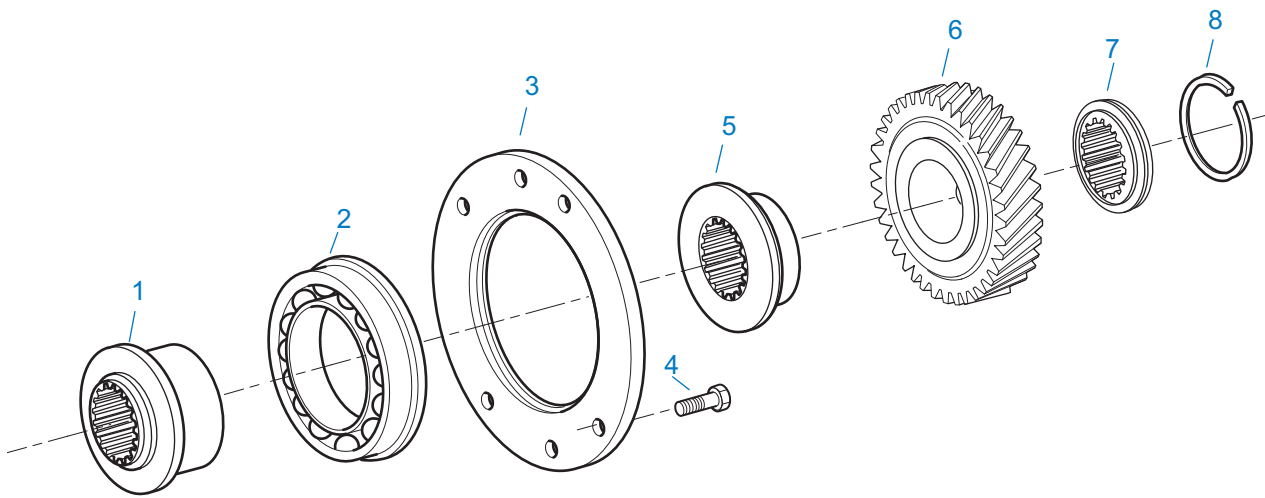
Reman Transmission

AFTMKT 08-12

Generic Illustration - Not specific to part numbers listed below

AFTERMARKET TRANSMISSIONS

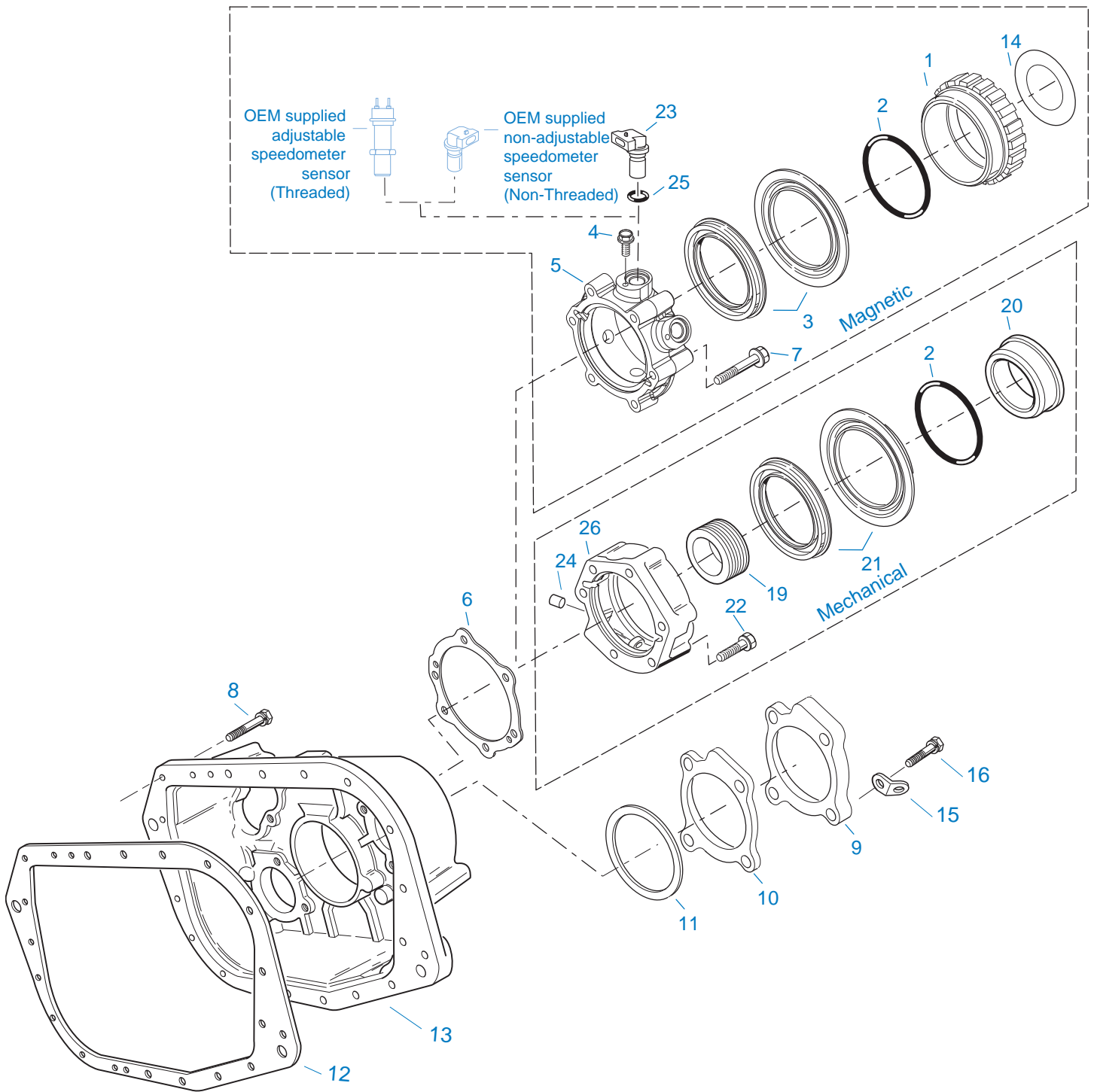
| Item | Current Part | Description | Replaced Part | Qty. | Notes | Kits/Assys Where Needed |
|------|---------------|--------------------------------|---------------|------|--|-------------------------|
| | TA-F10-12X | RTLO-18918B NEW SVC EXCH TRANS | | 1 | WITH INTERNAL PUMP - NO CLUTCH HOUSING | |
| | TA-F10-50R | RTLO-18918B REMAN TRANS | | 1 | WITH FORCED LUBE | |
| | TA-F10-50RDS | RTLO-18918B REMAN TRANS | | 1 | DEALER STOCK - 14 DAY LEAD-TIME - WITH FORCED LUBE | |
| | TA-F10-50RF | RTLO-18918B REMAN FLEX TRANS | | 1 | WITH FORCED LUBE | |
| | TA-F10-50RFDS | RTLO-18918B REMAN FLEX TRANS | | 1 | DEALER STOCK - 14 DAY LEAD-TIME -WITH FORCED LUBE | |
| | TA-F10-50RM | RTLO-18918B REMAN TRANS | | 1 | NODAL MOUNT BELOW CENTER - WITH FORCED LUBE | |
| | TA-F10-50RV | RTLO-18918B REMAN TRANS | | 1 | NODAL MOUNT ABOVE CENTER - WITH FORCED LUBE | |



10484A-5-10

AUXILIARY DRIVE GEAR

| Item | Current Part | Description | Replaced Part | Qty. | Notes | Kits/Assys Where Needed |
|------|--------------|-----------------------|---------------|------|----------------|------------------------------------|
| 1 | 4304499 | SPACER | | 1 | | |
| 2 | 5566510-BOX | BEARING | 5566510 | 1 | | K-3339,K-3340,K-3749 |
| 3 | 4304497 | RETAINER | | 1 | | |
| 4 | X-8-680 | CAPSCREW | | 6 | 3/8"-16X1-1/2" | |
| 5 | 4304500 | SPACER | | 1 | | K-3480 |
| 6 | K-3480 | REPL KIT - DRIVE GEAR | 4300938 | 1 | | |
| 7 | 4303185 | WASHER | 4300901 | 1 | | K-3480 |
| 8 | 4301254 | SNAP RING | | 1 | | K-3327,K-3339,K-3340,K-3480,K-3749 |



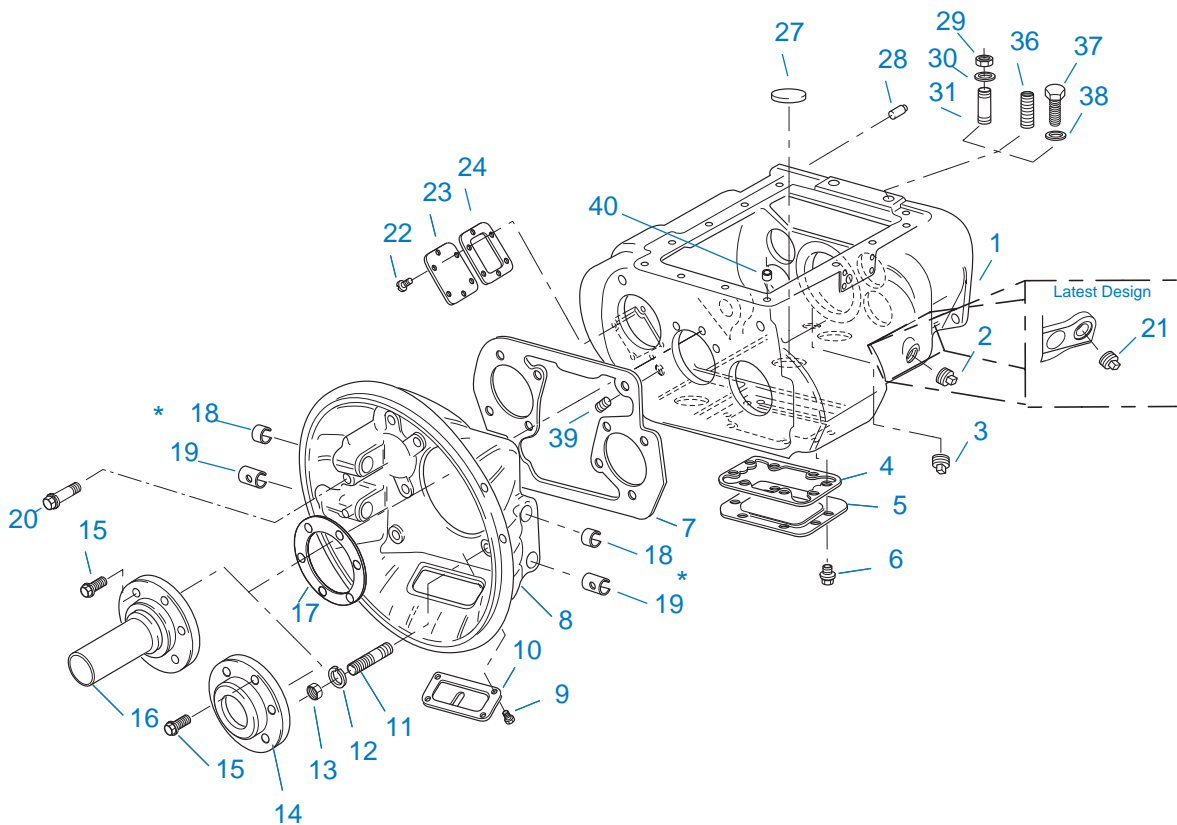
10419-2-97

CASE (AUX)

| Item | Current Part | Description | Replaced Part | Qty. | Notes | Kits/Assys Where Needed |
|------|--------------|-------------------|---------------|------|----------|------------------------------------|
| 1 | S-2501 | SPEEDO ROTOR ASSY | 4302242 | 1 | MAGNETIC | |
| 2 | 5568511 | -O- RING | | 1 | | K-2918,S-2501,S-2503,S-2783,S-2809 |

| Item | Current Part | Description | Replaced Part | Qty. | Notes | Kits/Assys Where Needed |
|------|--------------|-----------------------------|------------------------------------|------|--|---|
| 3 | K-2918 | OIL SEAL KIT | 4302322 4302323 | 1 | "FOR MAGNETIC COVER" | K-3339,K-3340,K-3749,K-3913 |
| 4 | X-8-0801M | CAPSCREW | | 2 | M8 X 1.25 X 12MM | |
| 5 | S-2809 | REAR BEARING COVER ASSY | 4302332 ,4303872 ,4304652 ,4305830 | 1 | PUSH-IN/THREAD-IN MAGNETIC PICK-UP | |
| 6 | 1009551 | GASKET - RED EDGE MOLDED | | 1 | RED EDGE MOLDED GASKET - UNCOMPRESSED THICKNESS .043 - .051 - NOT INTERCHANGEABLE WITH ANY OTHER GASKET | K-2262,K-2918,K-3288,S-2502,S-2809,S-2859 |
| 6 | 4302247 | GASKET - PURPLE EDGE MOLDED | | 1 | NON EDGE MOLDED GASKET - UNCOMPRESSED THICKNESS - .013 - .018 - NOT INTERCHANGABLE WITH ANY OTHER GASKET | K-2262,K-2918,K-3288 |
| 7 | X-8L-611 | CAPSCREW | | 4 | 3/8"-16X3-1/4" | |
| 7 | X-8L-614 | CAPSCREW | | 2 | 3/8"-16X2" | |
| 7 | X-8L-614 | CAPSCREW | | 6 | 3/8"-16X2" USE W/4303872 RBC | |
| 8 | X-8L-602 | CAPSCREW | | 17 | 3/8"-16X1-1/2" | |
| 8 | X-8L-614 | CAPSCREW | | 2 | 3/8"-16X2" | |
| 9 | 4302320 | COVER | 21346 | 2 | | S-2783 |
| 10 | 4305978 | GASKET | 4302246 | 2 | | K-3288,K-3547,K-3913,S-2783 |
| 11 | K-2805 | SHIM KIT | 21452 K - 2106 | 1 | | K-3339,K-3340,K-3749,K-3913,S-2783 |
| 12 | 14335 | GASKET | | 1 | | K-3288,K-3913,S-2783 |
| 13 | 4303586 | REAR HOUSING | | 1 | | |
| 14 | 4304653 | SHIELD | | 1 | | S-2809 |
| 15 | 20815 | LIFTING EYE | | 2 | | S-2783 |
| 16 | X-8L-604 | CAPSCREW | | 8 | 3/8"-16X1-1/4" | K-3547 |
| 19 | 86104 | SPEEDO DRIVE GEAR | | 1 | | |
| 20 | S-2503 | SPEEDO SPACER ASSY | 4302590 | 1 | MECHANICAL | |
| 21 | K-2262 | OIL SEAL W/SLINGER | 19109 ,20807 ,20808 | 1 | "FOR MECHANICAL COVER" | |
| 22 | X-8L-616 | CAPSCREW | X 8 616 | 6 | 3/8"-16X2-3/4" | |
| 23 | K-3454 | SPEED SENSOR KIT | A - 6398 ,A - 6724 | 1 | SINGLE PICK-UP (2 PIN) | |
| 23 | K-3455 | SPEED SENSOR KIT, DUAL | A - 7046 ,A - 7518 | 1 | DUAL PICK-UP (4 PIN) | |
| 24 | 7992 | BUSHING | | 1 | | S-2502,S-2859 |

| Item | Current Part | Description | Replaced Part | Qty. | Notes | Kits/Assys Where Needed |
|------|--------------|---------------------|------------------|------|---------------------------|-------------------------|
| 25 | 14142 | -O- RING | | 1 | | S-2783 |
| 26 | S-2502 | REAR BRG COVER ASSY | 4303604 ,4305827 | 1 | MECHANICAL - 4:00 OPENING | |
| 26 | S-2859 | REAR BRG COVER ASSY | 4302732 ,4305826 | 1 | MECHANICAL - 6:00 OPENING | |



10300A-11-97 Iron/Alum Hsg

* Bushing quantity requirements: #1 Housing – Upper bore use 4 #12815 / Lower bore use 2 #8677.

#2 Housing – Upper bore use 2 #12815 and 1 #8677 / Lower bore use 2 #8677.

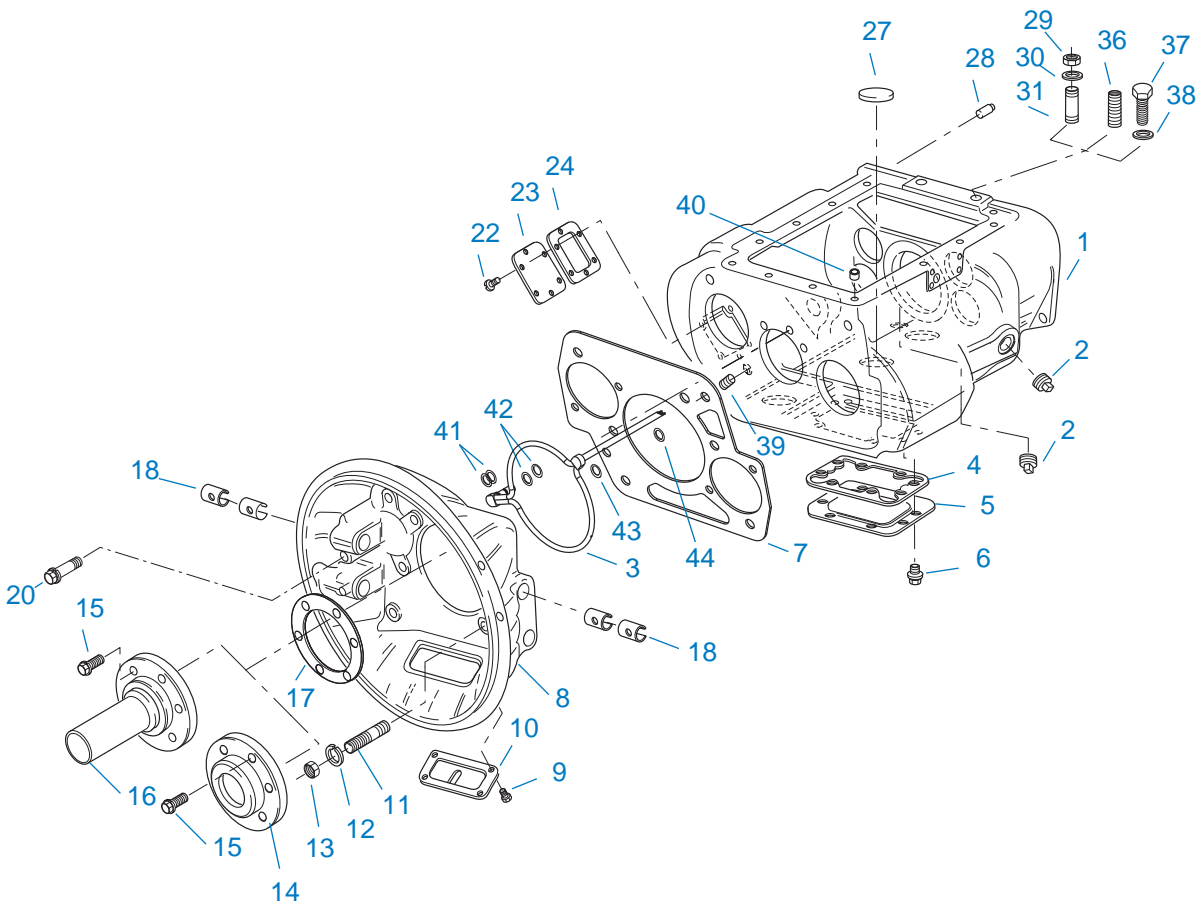
Note: Some part requirements are specific to #1 or #2 Aluminum or Iron Clutch Housings and Push or Pull type Clutch.

CASE (FRONT)

| Item | Current Part | Description | Replaced Part | Qty. | Notes | Kits/Assys Where Needed |
|------|--------------|-----------------------|----------------------------|------|--------------------|---|
| 1 | S-3018 | CASE ASSEMBLY | 4304498 ,4305810 ,S - 2735 | 1 | | |
| 2 | X-12-2007 | PIPE PLUG | X12 2006 | 1 | | |
| 3 | X-12-1207 | PIPE PLUG | X12 1202 ,X12 1206 | 1 | 3/4" MAGNETIC | |
| 4 | 4305310 | GASKET | 4302810 | 1 | | K-3288 |
| 5 | 4302809 | PTO COVER | 16596 ,4300571 | 1 | | |
| 6 | X-8-725 | CAPSCREW | X 8 724 | 8 | 7/16"-14X7/8" | |
| 7 | 4306584 | CLUTCH HOUSING GASKET | 4304815,4305668 | 1 | | K-3288,K-3671,K-3672,K-3673,K-3676,K-3677 |
| 8 | A-3713 | CLUTCH HOUSING ASSY | A - 3700 | 1 | #1 PUSH-PULL IRON | |
| 8 | A-3723 | CLUTCH HOUSING ASSY | A - 3721 ,A - 3722 | 1 | #2 PUSH-PULL IRON | |
| 8 | A-4772 | CLUTCH HOUSING ASSY | A - 4344 ,A - 4771 | 1 | #2 PUSH-PULL ALUM. | |

| Item | Current Part | Description | Replaced Part | Qty. | Notes | Kits/Assys Where Needed |
|------|--------------|----------------------------|------------------------------|------|---|---|
| 8 | A-5992 | CLUTCH HOUSING ASSY | 4301103 | 1 | #1 PULL ALUM.(SPECIAL-LIGHTER WEIGHT) | |
| 9 | 239614 | SCREW | X-8L-509 | 4 | 5/16-18X.81 QUANTITY DEPENDENT ON DESIGN | |
| 10 | 14506 | HAND HOLE COVER | | 1 | #2 PUSH | |
| 10 | 14507 | HAND HOLE COVER | | 1 | #2 PULL | |
| 10 | 4305230 | HAND HOLE COVER | 11453 | 1 | #1 PULL | |
| 10 | 4305231 | HAND HOLE COVER | 1565 | 1 | #1 PUSH | |
| 11 | 4306583 | STUD | 5966 | 6 | | |
| 12 | X-10-1005 | WASHER | X 3 1000 ,X10 1000 ,X10 1004 | 6 | 1.23 X 6.60 | |
| 13 | X-1-1012 | HEX NUT | X-1-1005 | 6 | .625-18 | |
| 14 | 20550 | FRONT BEARING COVER | | 1 | 2" PULL | K-2468,K-3749,K-4125 |
| 15 | X-8L-604 | CAPSCREW | | 6 | 3/8"-16X1-1/4" | K-3547 |
| 16 | 20549 | FRONT BEARING COVER | | 1 | 2" PUSH | |
| 17 | 14311 | GASKET | | 1 | | K-3288 |
| 18 | 12815 | BUSHING | | 2 | FOR #2 HOUSING UPPER | A-3713,A-3723,A-4772,A-5992,K-2468,K-3749 |
| 18 | 12815 | BUSHING | | 4 | FOR #1 HOUSING UPPER | A-3713,A-3723,A-4772,A-5992,K-2468,K-3749 |
| 18 | 8677 | BUSHING | | 1 | FOR #2 HOUSING UPPER | A-3713,A-3723,A-4772 |
| 19 | 8677 | BUSHING | | 2 | FOR #1 AND #2 HOUSING LOWER | A-3713,A-3723,A-4772 |
| 20 | X-8C-830 | HEX HEAD SCREW/WASHER ASSY | X-8C-826 | 4 | .500-13 X 1.490, USE 2 PCS FOR IRON HOUSING, USE 4 PCS FOR ALUMINUM HOUSING | K-3677 |
| 20 | X-8C-831 | HEX HEAD SCREW/WASHER ASSY | X-8C-822 | 2 | .500-13 X 3.460, FOR IRON HOUSING | |
| 21 | 4304023 | PLUG | 4303747 | 1 | 1-1/16" MAGNETIC, O-RING INCLUDED | K-3749,S-3001,S-3018 |
| 22 | X-8-686 | CAPSCREW | | 6 | 3/8"-16X3/4" | |
| 23 | 14575 | PTO COVER | 4302254 | 1 | | |
| 24 | 4305309 | GASKET | 1684 | 1 | | K-3288 |
| 27 | 14373 | MAGNET | | 3 | | K-3749,S-3001,S-3018 |
| 28 | 18128 | PIN | | 2 | | |

| Item | Current Part | Description | Replaced Part | Qty. | Notes | Kits/Assys Where Needed |
|------|--------------|-------------|---------------------------------|------|----------------|-------------------------|
| 29 | X-1-1012 | HEX NUT | | 2 | .625-18 | |
| 30 | X-10-1005 | WASHER | X 3 1000 ,X10 1000 ,X10 1004 | 2 | 1.23 X 6.60 | |
| 31 | 14554 | STUD | 1632 ,6579 | 2 | 5/8" X 2-3/16" | |
| 36 | 23104 | PLUG | 1712 | 2 | | |
| 37 | X-8-1005 | CAPSCREW | | 2 | 5/8"-11X1-1/4" | |
| 38 | 20814 | SPACER | | 2 | | |
| 39 | X-12-802 | PIPE PLUG | X12 800 | 1 | 1/2" | |
| 40 | 4302680 | BUSHING | | 1 | | |



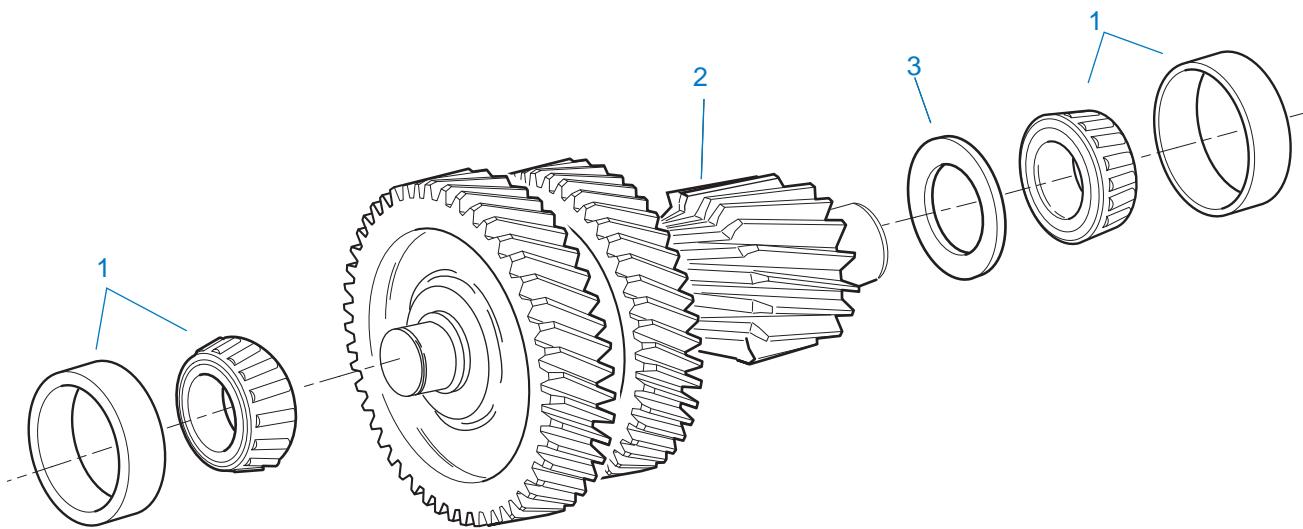
10319-11-99 Alum Hsg

CASE (FRONT) FORCED LUBE

| Item | Current Part | Description | Replaced Part | Qty. | Notes | Kits/Assys Where Needed |
|------|--------------|-------------------------|----------------------------|------|-----------------------------------|---|
| 1 | S-3001 | CASE ASSEMBLY | 4305390 ,4305810 ,S - 2891 | 1 | | |
| 2 | 4304023 | PLUG | 4303747 | 2 | 1-1/16" MAGNETIC, O-RING INCLUDED | K-3749,S-3001,S-3018 |
| 3 | A-7194 | LUBE TUBE ASSY | 4304921 ,A - 7141 | 1 | | |
| 3 | A-7471 | EXTENDED LUBE TUBE ASSY | 4305393 | 1 | NOT TO BE USED WITH 4304796 CASE | |
| 4 | 4305310 | GASKET | 4302810 | 1 | | K-3288 |
| 5 | 4302809 | PTO COVER | 16596 ,4300571 | 1 | | |
| 6 | X-8-725 | CAPSCREW | X 8 724 | 8 | 7/16"-14X7/8" | |
| 7 | 4306584 | CLUTCH HOUSING GASKET | 4304815,4305668 | 1 | | K-3288,K-3671,K-3672,K-3673,K-3676,K-3677 |
| 8 | K-3671 | FORCED LUBE CL HSG KIT | A - 7148 | 1 | #1 PULL IRON | |

| Item | Current Part | Description | Replaced Part | Qty. | Notes | Kits/Assys Where Needed |
|------|--------------|----------------------------|------------------------------|------|--|---|
| 8 | K-3672 | FORCED LUBE CL HSG KIT | A - 7149 ,A - 7150 | 1 | #1 PULL IRON - NODAL MOUNT - UPPER/LOWER | |
| 8 | K-3673 | FORCED LUBE CL HSG KIT | A - 7146 | 1 | #1 PULL ALUMINUM - NODAL MOUNT | |
| 8 | K-3676 | FORCED LUBE CL HSG KIT | A - 7145 | 1 | #1 PULL ALUMINUM | |
| 8 | K-3677 | FORCED LUBE CL HSG KIT | A-7592 | 1 | #1 PULL IRON - NODAL MOUNT - UPPER | |
| 9 | 239614 | SCREW | X-8L-509 | 4 | 5/16-18X.81 QUANTITY DEPENDENT ON DESIGN | |
| 10 | 4305230 | HAND HOLE COVER | 11453 | 1 | #1 PULL | |
| 10 | 4305231 | HAND HOLE COVER | 1565 | 1 | #1 PUSH | |
| 11 | 4306583 | STUD | 5966 | 6 | | |
| 12 | X-10-1005 | WASHER | X 3 1000 ,X10 1000 ,X10 1004 | 6 | 1.23 X 6.60 | |
| 13 | X-1-1012 | HEX NUT | X-1-1005 | 6 | .625-18 | |
| 14 | 20550 | FRONT BEARING COVER | | 1 | 2" PULL | K-2468,K-3749,K-4125 |
| 15 | X-8L-604 | CAPSCREW | | 6 | 3/8"-16X1-1/4" | K-3547 |
| 16 | 20549 | FRONT BEARING COVER | | 1 | 2" PUSH | |
| 17 | 14311 | GASKET | | 1 | | K-3288 |
| 18 | 12815 | BUSHING | | 4 | | A-3713,A-3723,A-4772,A-5992,K-2468,K-3749 |
| 20 | X-8C-830 | HEX HEAD SCREW/WASHER ASSY | X-8C-826 | 4 | .500-13 X 1.490 | K-3677 |
| 20 | X-8C-831 | HEX HEAD SCREW/WASHER ASSY | X-8C-822 | 2 | .500-13 X 3.460 | |
| 22 | X-8-686 | CAPSCREW | | 6 | 3/8"-16X3/4" | |
| 23 | 14575 | PTO COVER | 4302254 | 1 | | |
| 24 | 4305309 | GASKET | 1684 | 1 | | K-3288 |
| 27 | 14373 | MAGNET | | 3 | | K-3749,S-3001,S-3018 |
| 28 | 18128 | PIN | | 2 | | |
| 29 | X-1-1012 | HEX NUT | | 2 | .625-18 | |
| 30 | X-10-1005 | WASHER | X 3 1000 ,X10 1000 ,X10 1004 | 2 | 1.23 X 6.60 | |
| 31 | 14554 | STUD | 1632 ,6579 | 2 | 5/8" X 2-3/16" | |
| 36 | 23104 | PLUG | 1712 | 2 | | |

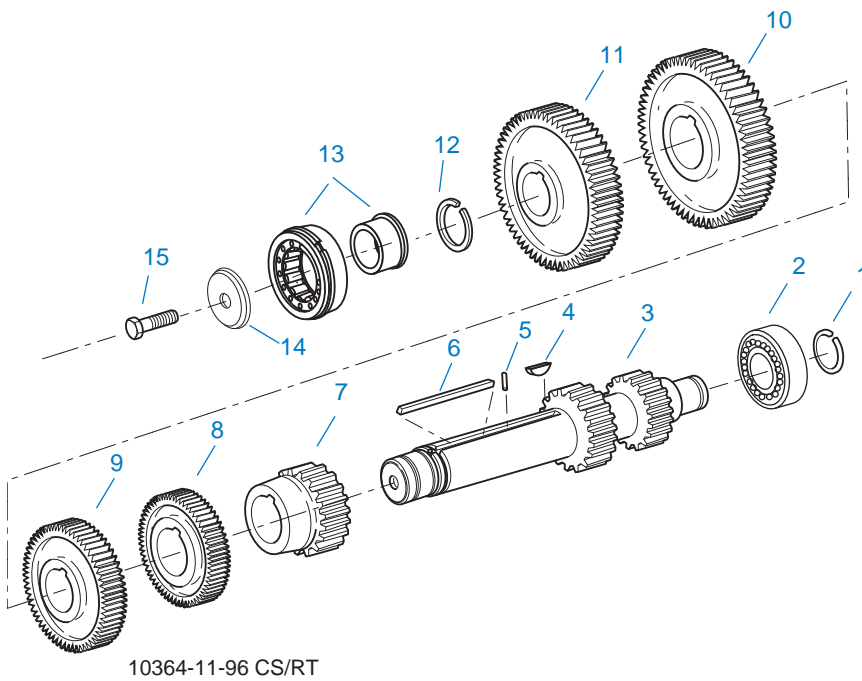
| Item | Current Part | Description | Replaced Part | Qty. | Notes | Kits/Assys Where Needed |
|------|--------------|-------------|---------------|------|----------------|-------------------------|
| 37 | X-8-1005 | CAPSCREW | | 2 | 5/8"-11X1-1/4" | |
| 38 | 20814 | SPACER | | 2 | | |
| 39 | X-12-802 | PIPE PLUG | X12 800 | 1 | 1/2" | |
| 40 | 4302680 | BUSHING | | 1 | | |
| 41 | 13835 | -O- RING | | 2 | | K-3341,K-3749 |
| 42 | 13653 | -O- RING | | 2 | | K-3331,K-3341,K-3749 |
| 43 | 5568544 | -O- RING | | 1 | | K-3341 |
| 44 | 13834 | -O- RING | | 1 | | K-3341 |



10444-5/93 CS Helical

COUNTERSHAFT & BRGS(AUX)

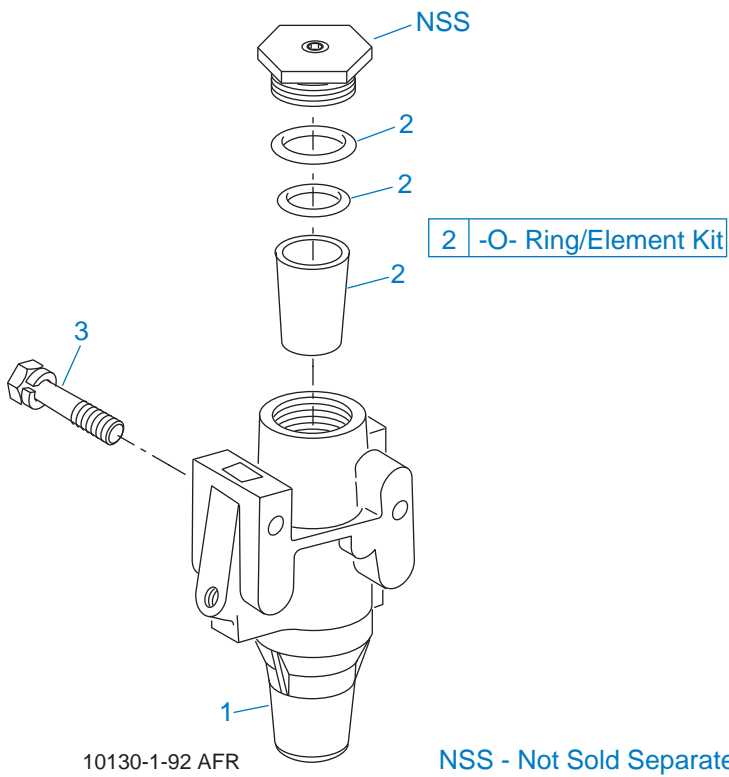
| Item | Current Part | Description | Replaced Part | Qty. | Notes | Kits/Assys Where Needed |
|------|--------------|------------------------|--|------|-------|-----------------------------|
| 1 | 4301851-BOX | BEARING | 4301851 | 4 | | K-3339,K-3340,K-3749,K-3913 |
| 2 | K-3220 | COUNTERSHAFT REPLT KIT | 4301792 ,4301793 ,A - 6187 ,A - 6602 ,A - 6603 | 2 | | |
| 3 | 4303124 | SPACER | | | | |
| | 2 | | K-3220 | | | |



COUNTERSHAFT ASSY

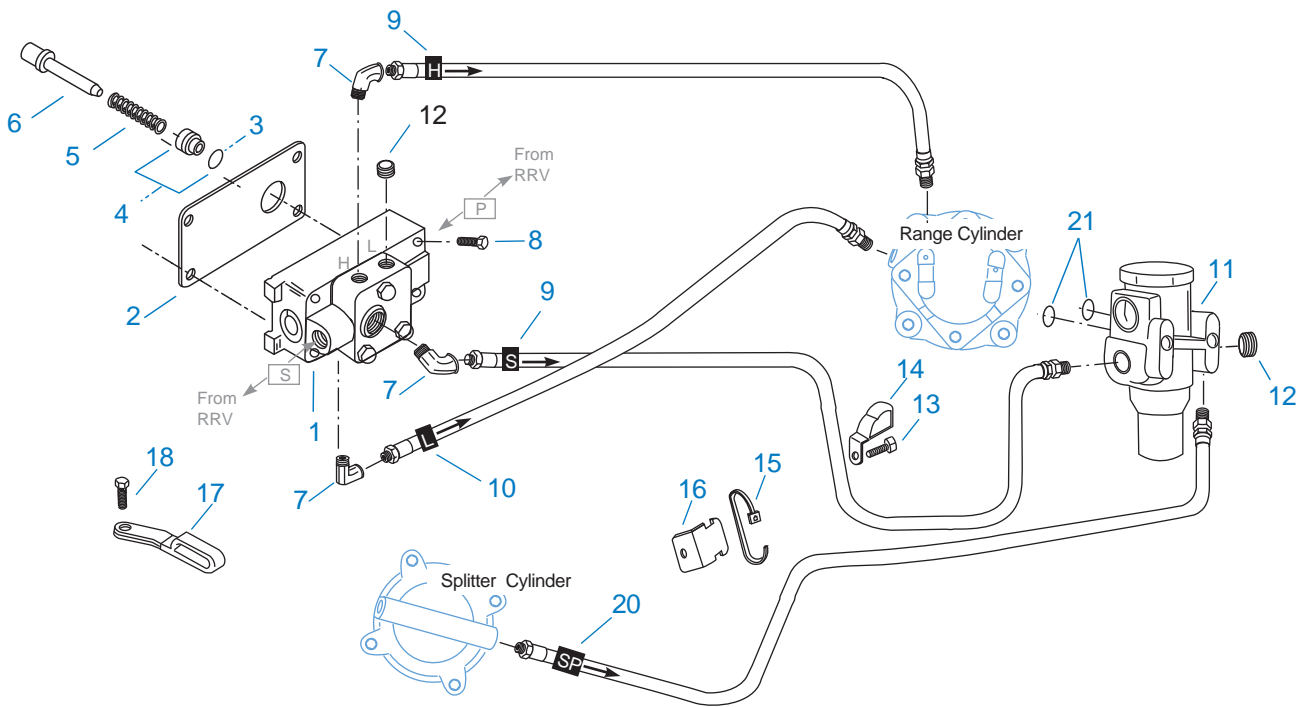
| Item | Current Part | Description | Replaced Part | Qty. | Notes | Kits/Assys Where Needed |
|------|--------------|------------------------------|------------------|------|---------------------------------------|---|
| 0 | S-3039 | COUNTERSHAFT ASSEMBLY, RIGHT | | 1 | COMPLETE COUNTERSHAFT ASSEMBLY, RIGHT | |
| 0 | S-3040 | COUNTERSHAFT ASSEMBLY, LEFT | | 1 | COMPLETE COUNTERSHAFT ASSEMBLY, LEFT | |
| 1 | 4302082 | SNAP RING | | 2 | | K-3327,K-3339,K-3340,K-3749,S-3039,S-3040 |
| 2 | 4302712 | BEARING | | 2 | | K-3339,K-3340,K-3749 |
| 3 | K-2947 | CNTRSHFT-W/REV & LO | 4302652 | 2 | | |
| 4 | X-6-E | KEY | | 2 | | S-3039,S-3040 |
| 5 | 62511 | ROLL PIN | | 2 | | S-3039,S-3040 |
| 6 | 4304840 | KEY | 19673 | 2 | | S-3039,S-3040 |
| 7 | 4304765 | 1ST GEAR-CNTRSHFT | 4303702 ,4304520 | 2 | | S-3039,S-3040 |
| 8 | 4304518 | 2ND GEAR-CNTRSHFT | 4303700 | 2 | | S-3039,S-3040 |
| 9 | 4303666 | OD GEAR-CNTRSHFT | 4304508 ,4304315 | 2 | | K-3749,S-3039,S-3040 |
| 10 | 15953 | PTO GEAR - LOWER | | 1 | | S-3040 |
| 10 | 20840 | PTO GEAR - UPPER | 15952 | 1 | | S-3039 |
| 11 | 4302666 | DRIVE GEAR-CNTRSHFT | 4303697,4304512 | 2 | | K-3749,S-3039,S- |

| Item | Current Part | Description | Replaced Part | Qty. | Notes | Kits/Assys Where Needed |
|------|--------------|-------------|---------------------------|------|----------------|-----------------------------|
| | | | | | | 3040 |
| 12 | 19198 | SNAP RING | | 2 | | K-3327,K-3749,S-3039,S-3040 |
| 13 | 4304599 | BEARING | 4302677, 4304598, 4306332 | 2 | | K-3339,K-3340,K-3749 |
| 14 | 4304605 | RETAINER | 19548 | 2 | | |
| 15 | X-7-1005 | CAPSCREW | | 2 | 5/8"-18X1-3/4" | |



FILTER REGULATOR

| Item | Current Part | Description | Replaced Part | Qty. | Notes | Kits/Assys Where Needed |
|------|--------------|----------------------|---------------|------|----------------------|-------------------------|
| 1 | A-4740 | FILTER/REGULATOR | 19600 | 1 | | K-3749 |
| 2 | K-1698 | -O- RING/ELEMENT KIT | | 1 | FOR FILTER REGULATOR | |
| 3 | X-8C-412 | CAPSCREW | X 8S 412 | 2 | 1/4"-20X2-1/4" | |

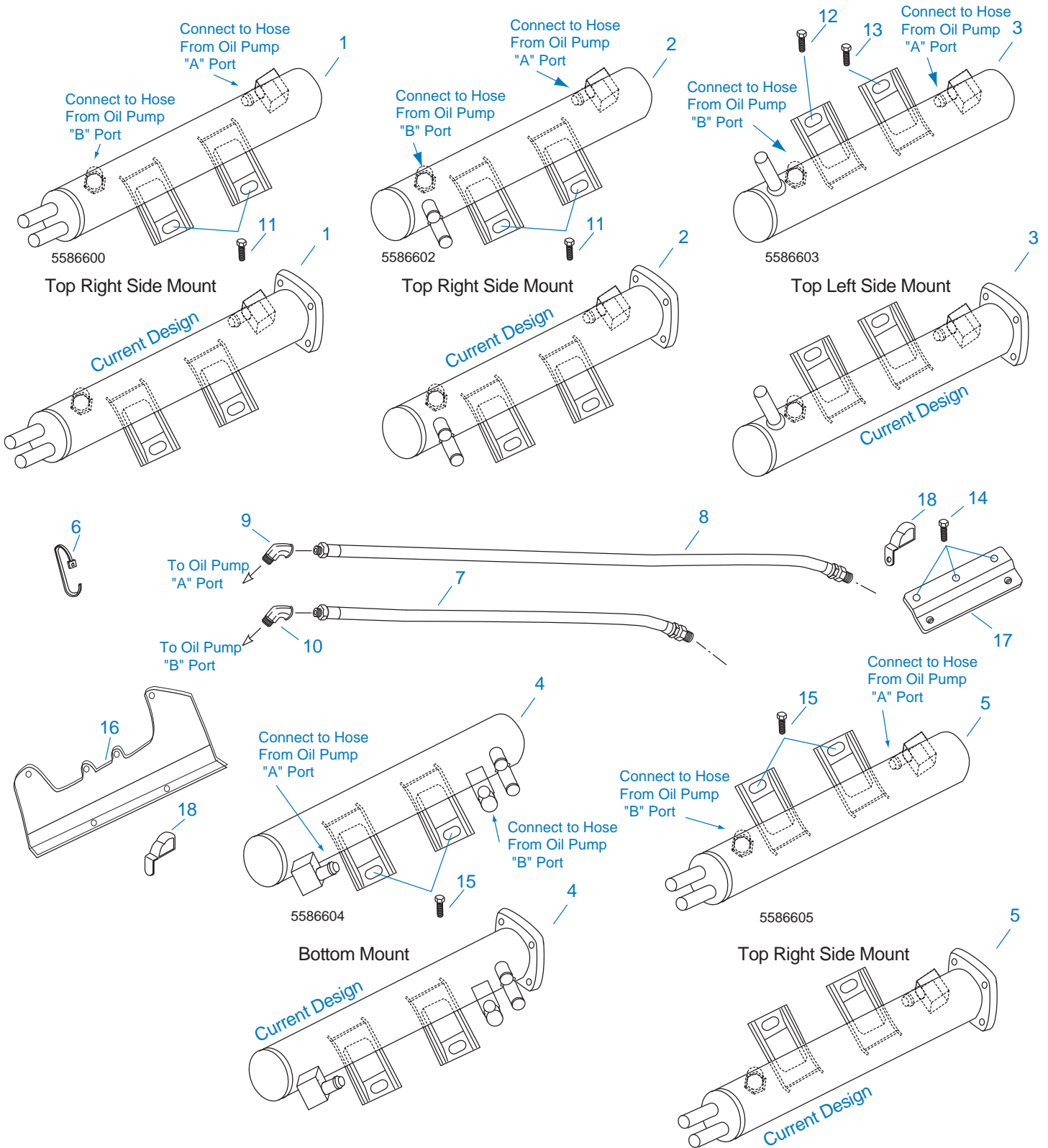


101101-2/94 A-5000 HC spl cyl

H & C W/A-5000 VALVE

| Item | Current Part | Description | Replaced Part | Qty. | Notes | Kits/Assys Where Needed |
|------|--------------|------------------|---------------------|------|------------------|-------------------------|
| 1 | A-5000 | SLAVE VALVE ASSY | 20850 | 1 | | K-3749 |
| 2 | 19481 | GASKET | | 1 | | K-3288 |
| 3 | 19462 | -O- RING | 14033 | 1 | | K-1969 |
| 4 | K-1969 | SLEEVE KIT | 14362 ,19460 ,21446 | 1 | FOR SLAVE VALVES | K-3749 |
| 5 | 21268 | SPRING | 19572 | 1 | | |
| 6 | 20490 | PIN | 19459 | 1 | | |
| 7 | 12845 | ELBOW | | 3 | 1/8" | K-3749 |
| 8 | X-8C-411 | CAPSCREW | | 4 | 1/4"-20X1-3/4" | |
| 9 | 55528 | HOSE ASSY | | 2 | 36" | K-3749 |
| 10 | 55509 | HOSE ASSY | | 1 | 34" | K-3749 |
| 11 | A-4740 | FILTER/REGULATOR | 19600 | 1 | | K-3749 |
| 12 | X-12-208 | PIPE PLUG | | 2 | 1/8" NPT | |
| 13 | X-8L-604 | CAPSCREW | | 1 | 3/8"-16X1-1/4" | K-3547 |
| 14 | 21427 | HOSE CLAMP | | 1 | | K-3749 |
| 15 | 21425 | STRAP | | 1 | | K-3749 |

| Item | Current Part | Description | Replaced Part | Qty. | Notes | Kits/Assys Where Needed |
|------|--------------|-------------|---------------|------|----------------|-----------------------------|
| 16 | 21426 | BRACKET | | 1 | | K-3749 |
| 17 | 21428 | HOSE CLAMP | | 1 | | K-3749 |
| 18 | X-8L-604 | CAPSCREW | | 1 | 3/8"-16X1-1/4" | K-3547 |
| 20 | 55527 | HOSE ASSY | | 1 | 15" | K-3749 |
| 21 | 15114 | -O- RING | | 2 | | A-5000,K-1935,K-3341,K-3749 |



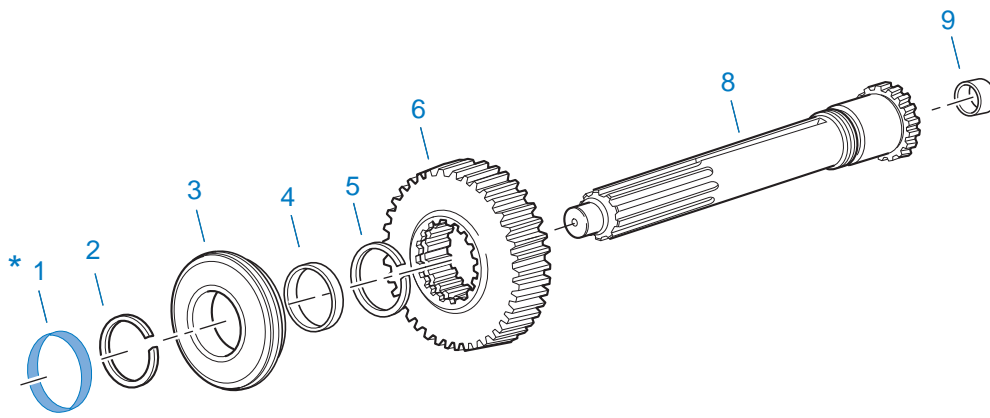
10534-6-98

HEAT EXCHANGER

| Item | Current Part | Description | Replaced Part | Qty. | Notes | Kits/Assys Where Needed |
|------|--------------|-------------|---------------|------|-------|-------------------------|
|------|--------------|-------------|---------------|------|-------|-------------------------|

| Item | Current Part | Description | Replaced Part | Qty. | Notes | Kits/Assys Where Needed |
|------|--------------|--------------------|--------------------------|------|--|-------------------------|
| 1 | K-3952 | HEAT EXCHANGER KIT | 5586612,5586625 | 1 | 3/4" PORTS | |
| 1 | K-3963 | HEAT EXCHANGER KIT | 5586600,K-3620 | 1 | MUST USE WHEN REPLACING 5586600 HEAT EXCHANGER WITH 5/8" PORTS, 5/8" TO 3/4" ADAPTERS ARE INCLUDED IN THIS KIT | |
| 2 | K-3954 | HEAT EXCHANGER KIT | 5586614,5586627 | 1 | 3/4" PORTS | |
| 2 | K-3965 | HEAT EXCHANGER KIT | 5586602 ,K - 3362,K-3622 | 1 | MUST USE WHEN REPLACING 5586602 HEAT EXCHANGER WITH 5/8" PORTS, 5/8" TO 3/4" ADAPTERS ARE INCLUDED IN THIS KIT | |
| 3 | K-3955 | HEAT EXCHANGER KIT | 5586615,5586628 | 1 | 3/4" PORTS | |
| 3 | K-3966 | HEAT EXCHANGER KIT | 5586603,K-3623,K-3655 | 1 | MUST USE WHEN REPLACING 5586603 HEAT EXCHANGER WITH 5/8" PORTS, 5/8" TO 3/4" ADAPTERS ARE INCLUDED IN THIS KIT | |
| 4 | K-3956 | HEAT EXCHANGER KIT | 5586629 | 1 | 3/4" PORTS | |
| 4 | K-3967 | HEAT EXCHANGER KIT | 5586604,5586616,K-3624 | 1 | MUST USE WHEN REPLACING 5586604 HEAT EXCHANGER WITH 5/8" PORTS, 5/8" TO 3/4" ADAPTERS ARE INCLUDED IN THIS KIT | |
| 5 | K-3959 | HEAT EXCHANGER KIT | 5586633 | 1 | 3/4" PORTS | |
| 5 | K-3968 | HEAT EXCHANGER KIT | 5586605 ,K - 3360,K-3625 | 1 | MUST USE WHEN REPLACING 5586605 HEAT EXCHANGER WITH 5/8" PORTS, 5/8" TO 3/4" ADAPTERS ARE INCLUDED IN THIS KIT | |
| 5 | K-3972 | HEAT EXCHANGER KIT | 5586609, 5586620 | 1 | | |
| 6 | 21425 | STRAP | | 2 | | K-3749 |
| 7 | 5588101 | OIL HOSE ASSEMBLY | 5586901 | 1 | 14.5" | |
| 7 | 5588103 | OIL HOSE ASSEMBLY | 5586903 | 1 | 30.0" | |
| 7 | 5588107 | OIL HOSE ASSEMBLY | 5586907 | 1 | 45.0" | |
| 7 | 5588109 | OIL HOSE ASSEMBLY | 5586909 | 1 | 28.0" | |
| 8 | 5588102 | OIL HOSE ASSEMBLY | 5586902 | 1 | 26.5" | K-3968 |
| 8 | 5588105 | OIL HOSE ASSEMBLY | 5586905 | 1 | 21.5" | |
| 8 | 5588106 | OIL HOSE ASSEMBLY | 5586906 | 1 | 40.0" | |
| 8 | 5588108 | OIL HOSE ASSEMBLY | 5586908 | 1 | 52.0" | |
| 9 | 4304076 | ELBOW | | 1 | FOR OIL PUMP "A" PORT | |
| 10 | 4301123 | ELBOW | | 1 | FOR OIL PUMP "B" PORT | K-3441 |

| Item | Current Part | Description | Replaced Part | Qty. | Notes | Kits/Assys Where Needed |
|------|--------------|------------------|---------------|------|----------------|-------------------------|
| 11 | X-8C-6109 | CAPSCREW | | 2 | 3/8"-16X1-1/4" | |
| 12 | X-8L-602 | CAPSCREW | | 1 | 3/8"-16X1-1/2" | |
| 13 | X-8C-6109 | CAPSCREW | | 1 | 3/8"-16X1-1/4" | |
| 14 | X-8L-602 | CAPSCREW | | 3 | 3/8"-16X1-1/2" | |
| 15 | X-8C-6111 | SCREW | | 2 | 3/8"-16X3/4" | |
| 16 | K-3902 | MOUNTING BRACKET | 4304665 | 1 | | |
| 17 | 4304683 | BRACKET | | 1 | | |
| 18 | 4303681 | HOSE CLAMP | | 1 | | |



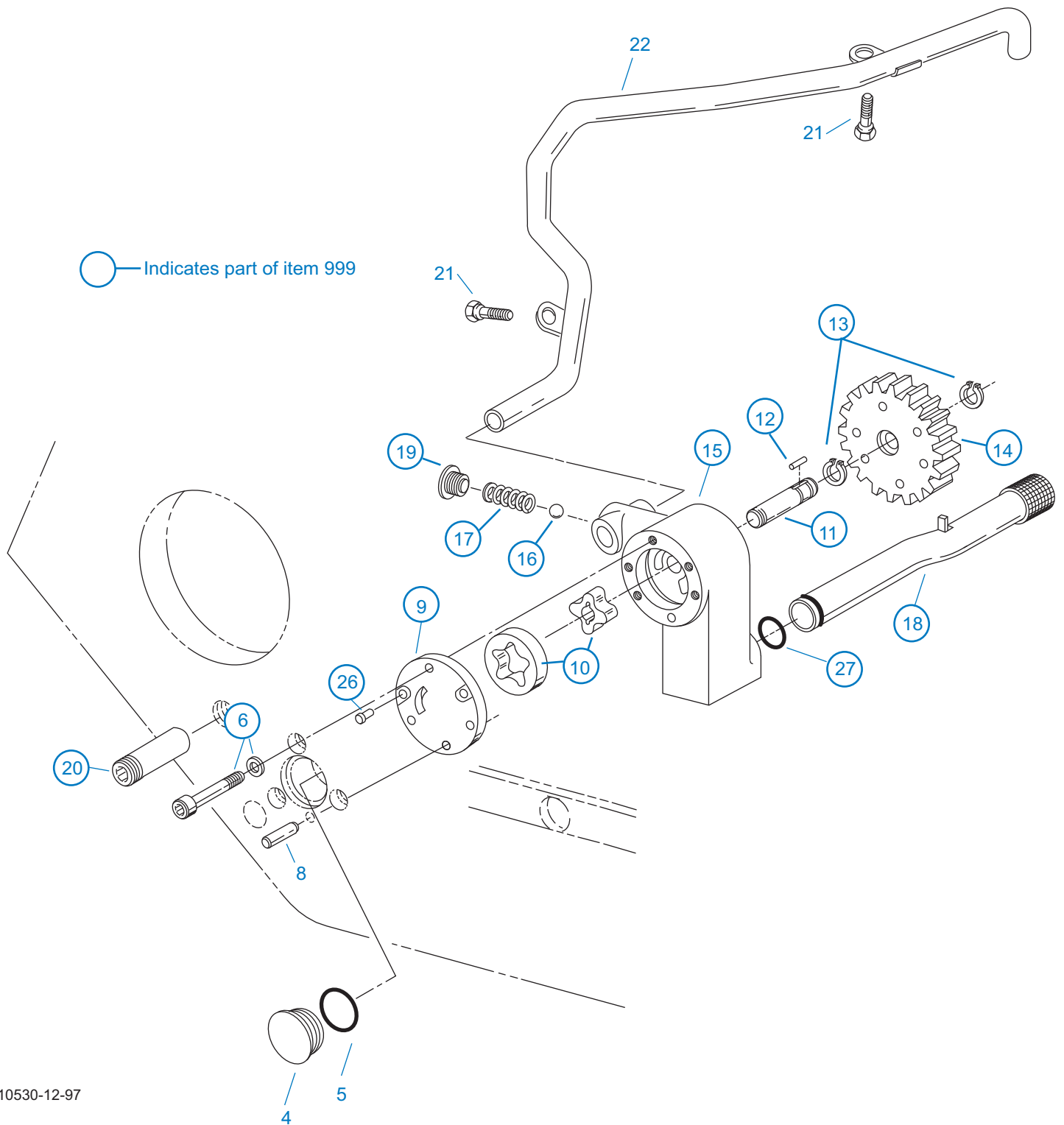
* For Shipping Only -- Do Not Replace

*

10370-1/92 IS

INPUT SHAFT & DRIVE GEAR

| Item | Current Part | Description | Replaced Part | Qty. | Notes | Kits/Assys Where Needed |
|------|--------------|-----------------|----------------------|------|---------------------------|--|
| 1 | 23559 | SEAL | | 1 | NOT SOLD FOR SERVICE | |
| 2 | 16980 | SNAP RING | | 1 | | K-2468,K-3327,K-3339,K-3340,K-3749,K-4125 |
| 3 | 81504 | BEARING | | 1 | | K-2468,K-3339,K-3340,K-3749,K-4125 |
| 4 | 16463 | SPACER | | 1 | | |
| 5 | 14750 | SNAP RING | | 1 | | K-2468,K-3327,K-3339,K-3340,K-3749,K-4125,S-3052 |
| 6 | 4304510 | MAIN DRIVE GEAR | 4303695 ,4304314 | 1 | | K-3749 |
| 8 | S-1659 | INPUT SHAFT | 20535 23566 ,4302661 | 1 | 2" PULL - USE W/FBC 20550 | K-2468,K-3339,K-3749,K-4125 |
| 8 | S-1660 | INPUT SHAFT | 20536 ,23567 | 1 | 2" PUSH - USE W/FBC 20549 | |
| 9 | 16566 | BUSHING | | 1 | | K-3340,S-1659,S-1660 |

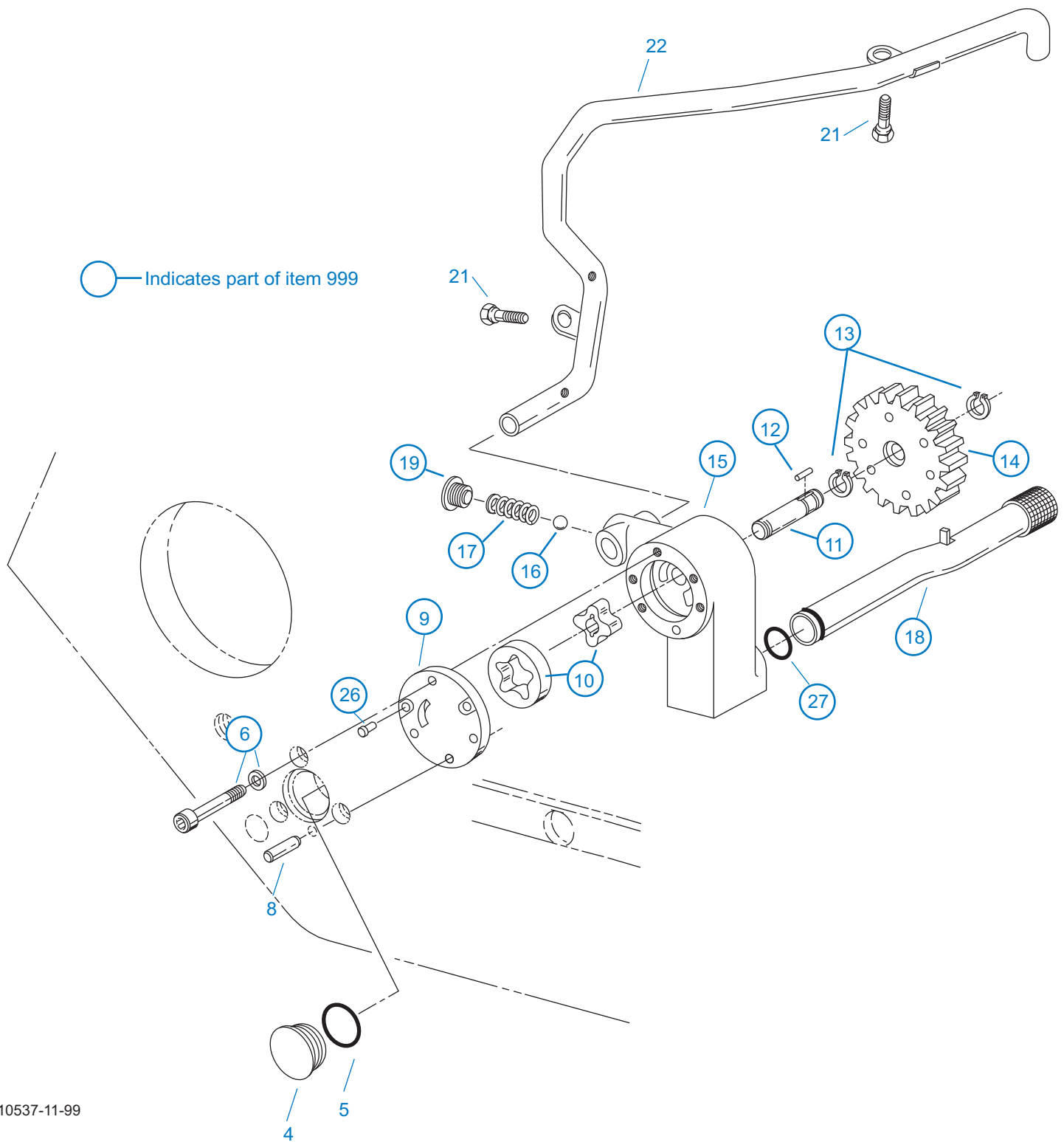


10530-12-97

INTEGRAL OIL PUMP

| Item | Current Part | Description | Replaced Part | Qty. | Notes | Kits/Assys Where Needed |
|------|--------------|-------------|---------------|------|-------|-------------------------|
| 4 | 20823 | PLUG | | 1 | | |
| 5 | 14765 | -O- RING | | 1 | | K-3341 |

| Item | Current Part | Description | Replaced Part | Qty. | Notes | Kits/Assys Where Needed |
|------|--------------|--------------------|---|------|--|-------------------------|
| 6 | K-4126 | FASTENER KIT | 20824, X-8-448 | 1 | KIT CONTAINS 3 FASTENERS AND 3 WASHERS | K-3367 |
| 8 | 20825 | DOWEL PIN | | 1 | | |
| 9 | 4303773 | RETAINER | | 1 | | |
| 10 | K-3367 | OIL PUMP KIT | 4301829 ,4301948 ,4303776 ,4304529 ,4304572 A - 6963 ,A - 7173 | 1 | | |
| 11 | K-3367 | OIL PUMP KIT | 4301829 ,4301948 ,4303776 ,4304529 ,4304572 A - 6963 ,A - 7173 | 1 | | |
| 12 | 20509 | KEY | | 1 | | |
| 13 | 14853 | SNAP RING | | 2 | | |
| 14 | 4303774 | PUMP DRIVE GEAR | 4304880 | 1 | | |
| 15 | K-3367 | OIL PUMP KIT | 4301829 ,4301948 ,4303776 ,4304529 ,4304572 A - 6963 ,A - 7173 | 1 | | |
| 16 | X-14-700 | STEEL BALL | | 1 | 7/16" | |
| 17 | 4303775 | SPRING | | 1 | | |
| 18 | 4305713 | SUCTION TUBE | 4304628 | 1 | O-RING INCLUDED ON SUCTION TUBE | K-3367 |
| 19 | 4304629 | PLUG | | 1 | | |
| 20 | 4303828 | PLUG | | 1 | | K-3367 |
| 21 | X-8-686 | CAPSCREW | | 2 | 3/8"-16X3/4" | |
| 22 | 4305715 | SPLITTER LUBE TUBE | A - 7197 | 1 | | |
| 26 | X-8-447 | SCREW | | 2 | | |
| 27 | 20225 | -O- RING | | 1 | | K-3749 |
| 999 | K-3367 | OIL PUMP KIT | 4301829 ,4301948 ,4303776 ,4304529 ,4304572 A - 6963 ,A - 7173 | 1 | | |

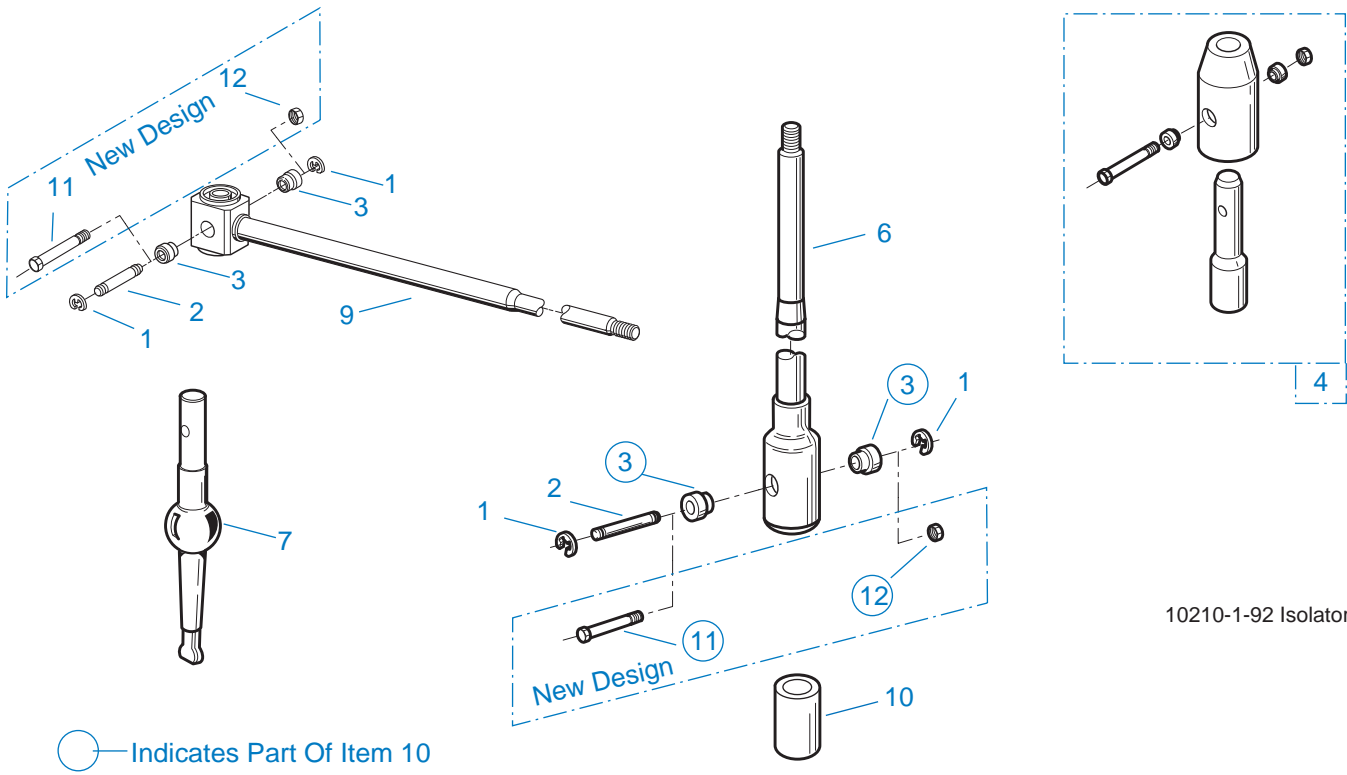


10537-11-99

INTEGRAL OIL PUMP (FORCED LUBE)

| Item | Current Part | Description | Replaced Part | Qty. | Notes | Kits/Assys Where Needed |
|------|--------------|-------------|---------------|------|-------|-------------------------|
| 4 | 20823 | PLUG | | 1 | | |

| Item | Current Part | Description | Replaced Part | Qty. | Notes | Kits/Assys Where Needed |
|------|--------------|--------------------|---|------|--|-------------------------|
| 5 | 14765 | -O- RING | | 1 | | K-3341 |
| 6 | K-4126 | FASTENER KIT | 20824, X-8-448 | 1 | KIT CONTAINS 3 FASTENERS AND 3 WASHERS | K-3367 |
| 8 | 20825 | DOWEL PIN | | 1 | | |
| 9 | 4303773 | RETAINER | | 1 | | |
| 10 | K-3367 | OIL PUMP KIT | 4301829 ,4301948 ,4303776 ,4304529 ,4304572 A - 6963 ,A - 7173 | 1 | | |
| 11 | K-3367 | OIL PUMP KIT | 4301829 ,4301948 ,4303776 ,4304529 ,4304572 A - 6963 ,A - 7173 | 1 | | |
| 12 | 20509 | KEY | | 1 | | |
| 13 | 14853 | SNAP RING | | 2 | | |
| 14 | 4303774 | PUMP DRIVE GEAR | 4304880 | 1 | | |
| 15 | K-3367 | OIL PUMP KIT | 4301829 ,4301948 ,4303776 ,4304529 ,4304572 A - 6963 ,A - 7173 | 1 | | |
| 16 | X-14-700 | STEEL BALL | | 1 | 7/16" | |
| 17 | 4303775 | SPRING | | 1 | | |
| 18 | 4305713 | SUCTION TUBE | 4304628 | 1 | O-RING INCLUDED ON SUCTION TUBE | K-3367 |
| 19 | 4304629 | PLUG | | 1 | | |
| 21 | X-8-686 | CAPSCREW | | 2 | 3/8"-16X3/4" | |
| 22 | 4305715 | SPLITTER LUBE TUBE | A - 7197 | 1 | | |
| 26 | X-8-447 | SCREW | | 2 | | |
| 27 | 20225 | -O- RING | | 1 | | K-3749 |
| 999 | K-3367 | OIL PUMP KIT | 4301829 ,4301948 ,4303776 ,4304529 ,4304572 A - 6963 ,A - 7173 | 1 | | |



10210-1-92 Isolator

ISOLATORS

| Item | Current Part | Description | Replaced Part | Qty. | Notes | Kits/Assys Where Needed |
|------|--------------|----------------------|---------------|------|-----------------|---|
| 1 | 19124 | -E- RING | | 2 | | |
| 2 | K-3467 | PIN REPLACEMENT KIT | 21245 | 1 | | |
| 3 | 21246 | BUSHING | | 2 | | K-2003,K-2428,K-2429,K-2978,K-3399,S-2129,S-2130,S-2519 |
| 4 | S-1794 | ISOLATOR ASSY | | 1 | | |
| 6 | 21247 | LEVER | | 1 | STRAIGHT 18.67" | |
| 7 | 21235 | STUB LEVER | | 1 | LOW TOWER | K-2428,S-1677 |
| 7 | 21236 | STUB LEVER | | 1 | HIGH TOWER | K-2429,S-1579,S-2130 |
| 7 | 4301168 | STUB LEVER | | 1 | MID TOWER | K-2978 |
| 9 | 21767 | 90 DEG LEVER | | 1 | STRAIGHT 33" | |
| 10 | K-3399 | ISOLATOR BUSHING KIT | 21244 ,23311 | 1 | | |
| 11 | X-8-560 | SCREW | | 1 | | K-2003 |
| 12 | X-9-503 | NUT | | 1 | | K-2003 |

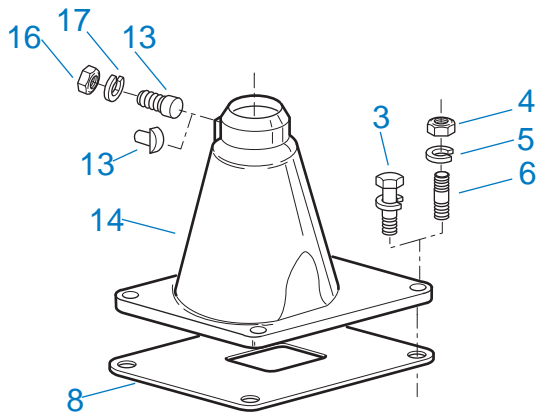
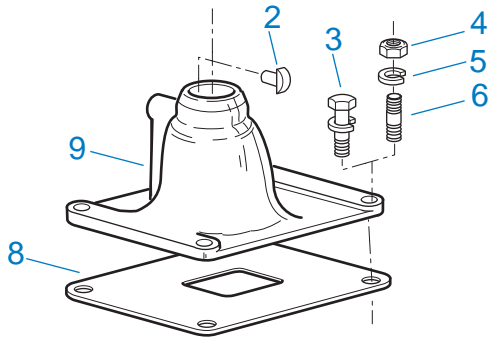
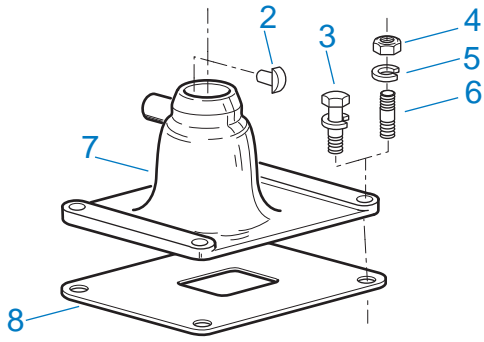
KITS & ASSEMBLIES

| Item | Current Part | Description | Replaced Part | Qty. | Notes | Kits/Assys Where Needed |
|--------|--------------|-------------------------|---|------|--|------------------------------------|
| K-1476 | | SHIFT LEVER HSG | 4530 ,17163 ,18298 ,4304905 ,A - 4437 | 1 | LOW TOWER | |
| K-1698 | | -O- RING/ELEMENT KIT | | 1 | FOR FILTER REGULATOR | |
| K-1935 | | REPAIR KIT-SLAVE VALVE | | 1 | FOR A-5000 VALVE | |
| K-1956 | | COOLER INSTLN KIT | | 1 | | |
| K-1969 | | SLEEVE KIT | 14362 19460 ,21446 | 1 | FOR SLAVE VALVES | K-3749 |
| K-2003 | | PIN & BUSHING KIT | | 1 | | |
| K-2262 | | OIL SEAL W/SLINGER | 19109 ,20807 ,20808 | 1 | "FOR MECHANICAL COVER" | |
| K-2394 | | AIR SYSTEMS TOOL KIT | | 1 | | |
| K-2428 | | LEVER REPLACEMENT KIT | | 1 | LOW TOWER | |
| K-2429 | | LEVER REPLACEMENT KIT | | 1 | HIGH TOWER | |
| K-2468 | | CLUTCH INSTALLATION KIT | | 1 | FOR USE WITH S-1659 INPUT SHAFT ASSY AND 81504 INPUT SHAFT BEARING | |
| K-2805 | | SHIM KIT | 21452 K - 2106 | 1 | | K-3339,K-3340,K-3749,K-3913,S-2783 |
| K-2918 | | OIL SEAL KIT | 4302322 4302323 | 1 | "FOR MAGNETIC COVER" | K-3339,K-3340,K-3749,K-3913 |
| K-2947 | | COUNTERSHAFT REPL KIT | 4302652 | 1 | | |
| K-2973 | | SHIFT LEVER HSG KIT | 17166 ,17167 ,4303050 ,4304910 ,K - 1630 K - 1941 | 1 | HIGH TOWER | |
| K-2977 | | SHIFT LEVER HSG KIT | 4301167 ,4304907 ,A - 6040 | 1 | MID TOWER | |
| K-2978 | | LEVER REPLACEMENT KIT | | 1 | MID TOWER | |
| K-3104 | | ACTUATOR PIN KIT | 4303287 | 1 | | K-3749 |
| K-3191 | | MASTER VALVE REPAIR KIT | | 1 | FOR A-6918 VALVE | |
| K-3220 | | COUNTERSHAFT REPLT KIT | 4301792 ,4301793 ,A - 6187 ,A - 6602 ,A - 6603 | 1 | | |
| K-3288 | | GASKET KIT | | 1 | | K-3339,K-3340,K-3749 |

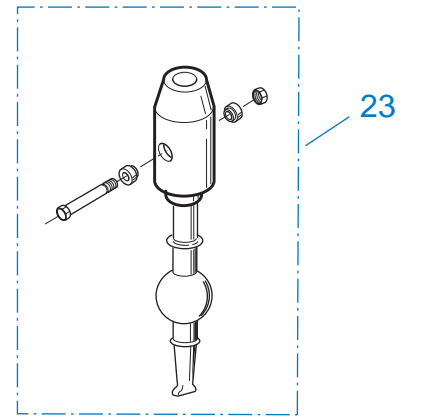
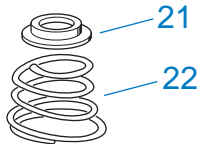
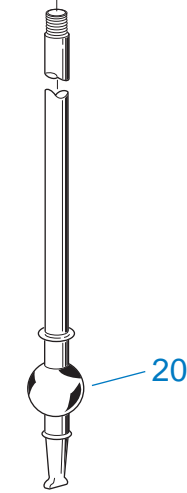
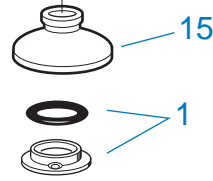
| Item | Current Part | Description | Replaced Part | Qty. | Notes | Kits/Assys Where Needed |
|------|--------------|---|--|------|---|-----------------------------|
| | K-3327 | SMALL PARTS KIT | | 1 | | |
| | K-3331 | SPLITTER VLV REPL KIT | 4300927 ,4304031 ,4304032 ,A - 6862 | 1 | | |
| | K-3339 | BASIC OVERHAUL KIT | | 1 | | |
| | K-3340 | BASIC REBUILD KIT | | 1 | | |
| | K-3341 | O-RING KIT | | 1 | | K-3339,K-3340,K-3749,K-3913 |
| | K-3367 | OIL PUMP KIT | 4301829 ,4301948 ,4303776 ,4304529 ,4304572 A - 6963 ,A - 7173 | 1 | | |
| | K-3399 | ISOLATOR BUSHING KIT | 21244 ,23311 | 1 | | |
| | K-3467 | PIN REPLACEMENT KIT | 21245 | 1 | | |
| | K-3480 | REPL KIT - DRIVE GEAR | 4300938 | 1 | | |
| | K-3492 | SYNCHRONIZER KIT | K - 2446 | 1 | | |
| | K-3497 | SYNCHRONIZER REPLACEMENT KIT | K - 3200 | 1 | SLIDING CLUTCH INCLUDED IN KIT | K-3913 |
| | K-3671 | FORCED LUBE CL HSG KIT | A - 7148 | 1 | #1 PULL IRON | |
| | K-3672 | FORCED LUBE CL HSG KIT | A - 7149 ,A - 7150 | 1 | #1 PULL IRON - NODAL MOUNT - UPPER/LOWER | |
| | K-3673 | FORCED LUBE CL HSG KIT | A - 7146 | 1 | #1 PULL ALUMINUM - NODAL MOUNT | |
| | K-3676 | FORCED LUBE CL HSG KIT | A - 7145 | 1 | #1 PULL ALUMINUM | |
| | K-3677 | FORCED LUBE CL HSG KIT | A-7592 | 1 | #1 PULL IRON - NODAL MOUNT - UPPER | |
| | K-3749 | MASTER REBUILDER KIT | | 1 | USE TO REBUILD RTLO-18918B W/NON-SELECTIVE WASHERS AND FORCED LUBE ONLY | |
| | K-3913 | RANGE SECTION REPAIR KIT | | 1 | | |
| | K-4125 | CLUTCH INSTALLATION KIT (RT), HYDRAULIC RELEASE | | 1 | STANDARD RT INPUT SHAFT AND YOKE FOR HYDRAULIC CLUTCH RELEASE | |
| | S-1404 | OIL FILTER | 17238 | 1 | | |
| | S-1516 | CAP ASSY | 20851 ,20853 | 1 | | |
| | S-1659 | INPUT SHAFT | 23566 | 1 | 2" PULL - USE W/FBC 20550 | K-2468,K-3339,K-3749,K-4125 |
| | S-1660 | INPUT SHAFT | 23567 | 1 | 2" PUSH - USE W/FBC 20549 | |

| Item | Current Part | Description | Replaced Part | Qty. | Notes | Kits/Assys Where Needed |
|------|--------------|------------------------------|------------------------------------|------|--|-------------------------|
| | S-1794 | ISOLATOR ASSY | | 1 | | |
| | S-2129 | SHIFT LEVER HSG ASSY | | 1 | LOW TOWER | |
| | S-2130 | SHIFT LEVER HSG ASSY | S - 2053 | 1 | HIGH TOWER | |
| | S-2269 | SHIFT BAR HSG | 4302679 | 1 | HOUSING ONLY (RTLOF) | |
| | S-2270 | SHIFT BAR HSG | 4302675 | 1 | HOUSING ONLY (RTLO) | |
| | S-2271 | SHIFT BAR HSG ASSY | 4302679 | 1 | COMPLETE (RTLOF) FOR UNITS BUILT PRIOR TO THE FORCED LUBRICATION SYSTEM DESIGN | |
| | S-2272 | SHIFT BAR HSG ASSY | 4302675 | 1 | COMPLETE (RTLO) FOR UNITS BUILT PRIOR TO THE FORCED LUBRICATION SYSTEM DESIGN | |
| | S-2501 | SPEEDO ROTOR ASSY | 4302242 | 1 | MAGNETIC | |
| | S-2502 | REAR BRG COVER ASSY | 4303604 ,4305827 | 1 | MECHANICAL - 4:00 OPENING | |
| | S-2503 | SPEEDO SPACER ASSY | 4302590 | 1 | | |
| | S-2519 | SHIFT LEVER HSG ASSY | S - 2919 | 1 | MID TOWER | |
| | S-2588 | ROADRANGER VALVE ASSY | | 1 | | |
| | S-2783 | RANGE SECTION ASSY | | 1 | | |
| | S-2783R | REMAN RANGE SECTION ASSY | | 1 | | |
| | S-2809 | REAR BEARING COVER ASSY | 4302332 ,4303872 ,4304652 ,4305830 | 1 | PUSH-IN/THREAD-IN MAGNETIC PICK-UP | |
| | S-2859 | REAR BRG COVER ASSY | 4302732 ,4305826 | 1 | MECHANICAL - 6:00 OPENING | |
| | S-2910 | SHIFT BAR HSG ASSY | 4302675 | 1 | COMPLETE (RTLO) FOR UNITS BUILT WITH THE FORCED LUBRICATION SYSTEM DESIGN | |
| | S-2911 | SHIFT BAR HSG ASSY | 4302679 | 1 | COMPLETE (RTLOF) FOR UNITS BUILT WITH THE FORCED LUBRICATION SYSTEM DESIGN | |
| | S-3001 | CASE ASSEMBLY | 4305390 ,4305810 ,S - 2891 | 1 | USE FOR UNITS BUILT WITH THE FORCED LUBRICATION SYSTEM DESIGN | |
| | S-3018 | CASE ASSEMBLY | 4304498 ,4305810 ,S - 2735 | 1 | USE FOR UNITS BUILT PRIOR TO THE FORCED LUBRICATION SYSTEM DESIGN | |
| | S-3039 | COUNTERSHAFT ASSEMBLY, RIGHT | | 1 | COMPLETE COUNTERSHAFT ASSEMBLY, RIGHT | |
| | S-3040 | COUNTERSHAFT ASSEMBLY, LEFT | | 1 | COMPLETE COUNTERSHAFT ASSEMBLY, LEFT | |
| | S-3052 | COMPLETE MAINSHAFT ASSEMBLY | | 1 | COMPLETE MAINSHAFT ASSEMBLY | |

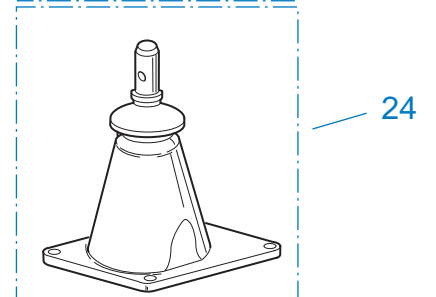
| Item | Current Part | Description | Replaced Part | Qty. | Notes | Kits/Assys Where Needed |
|------|--------------|----------------|--------------------------------------|------|-------|-------------------------|
| | S-3108 | MAINSHAFT ASSY | 4302658 ,4303403 ,S - 2268,S-2560 | 1 | | |



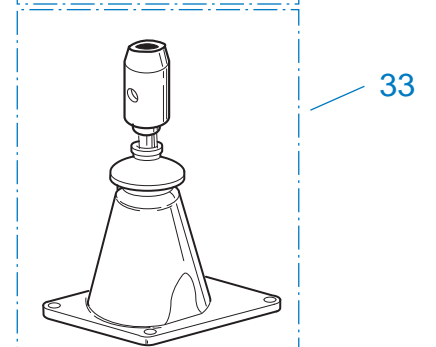
10207-9-95



K-2428 - Low
K-2978 - Mid
K-2429 - High



S-1677 - Low
S-1967 - Mid
S-1579 - High



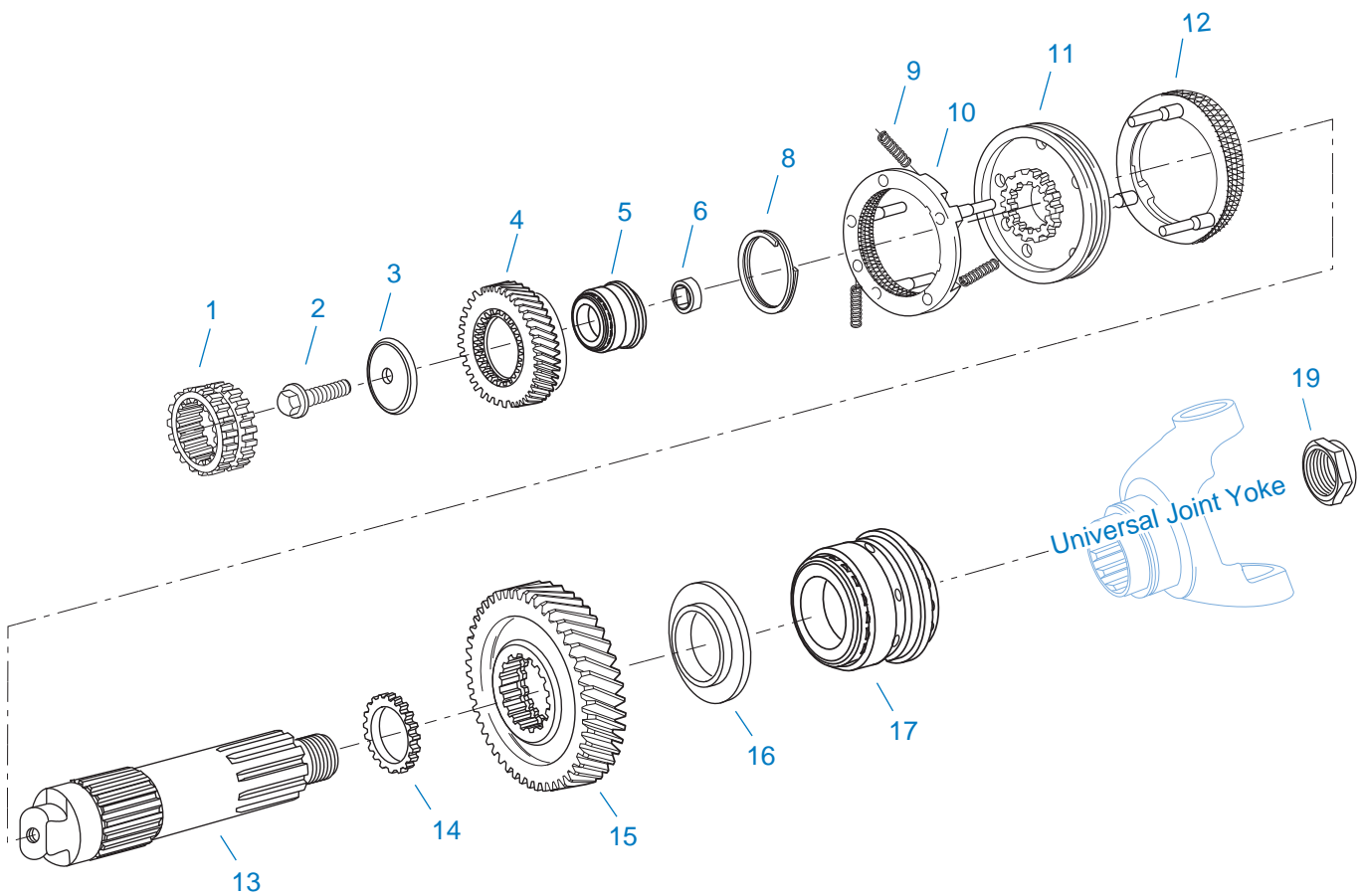
S-2129 - Low
S-2519 - Mid
S-2130 - High

LEVERS/HOUSINGS

| Item | Current Part | Description | Replaced Part | Qty. | Notes | Kits/Assys Where Needed |
|------|--------------|---------------------|---------------|------|-------|-------------------------|
| 1 | K-3376 | O-RING & WASHER KIT | 4301211 | 1 | | |
| 2 | 18299 | PIN | | 1 | | K-1476,K-2977,S-1677 |

| Item | Current Part | Description | Replaced Part | Qty. | Notes | Kits/Assys Where Needed |
|------|--------------|-----------------------|---|------|--------------------------|--|
| 3 | X-8C-604 | CAPSCREW | | 4 | 3/8"-16X1-1/4" | K-3956,K-3959,K-3967,K-3968,K-3972,S-2269,S-2270,S-2271,S-2272,S-2910,S-2911 |
| 4 | X-1-600 | NUT | | 4 | 3/8"-24-N.F.PLAIN | |
| 5 | X-3-600 | LOCKWASHER | | 4 | 3/8" | |
| 6 | 11934 | STUD | 7467 | 4 | | |
| 7 | K-1476 | SHIFT LEVER HSG | 4530 ,17163 ,18298 ,4304905 ,A - 4437 | 1 | LOW TOWER | |
| 8 | 4305294 | GASKET | 4303431 | 1 | | K-1476,K-2428,K-2429,K-2973,K-2977,K-2978,K-3288,S-1579,S-1677,S-1967,S-2129,S-2130,S-2271,S-2272,S-2519,S-2910,S-2911 |
| 9 | K-2977 | SHIFT LEVER HSG KIT | 4301167 ,4304907 ,A - 6040 | 1 | MID TOWER | |
| 13 | 4303030 | PIN | | 1 | | K-2973,S-1579,S-2130 |
| 13 | 6541 | PIN | | 1 | 3/8" - USED W/17167 ONLY | |
| 14 | K-2973 | SHIFT LEVER HSG KIT | 17166 ,17167 ,4303050 ,4304910 ,K - 1630 K - 1941 | 1 | HIGH TOWER | |
| 15 | 10427 | BOOT | | 1 | | K-1476,K-2973,K-2977,S-1579,S-1677,S-2130 |
| 16 | X-1-600 | NUT | | 1 | 3/8"-24-N.F.PLAIN | |
| 17 | X-3-600 | LOCKWASHER | | 1 | 3/8" | |
| 20 | 17600 | GEAR SHIFT LEVER | | 1 | STRAIGHT - LOW 21-1/2" | |
| 20 | 18482 | GEAR SHIFT LEVER | | 1 | STRAIGHT - HIGH 35" | |
| 21 | 2538 | RETAINER | | 1 | | K-1476,K-2973,K-2977,S-1579,S-1677,S-2130 |
| 22 | 2536 | SPRING | | 1 | | K-1476,K-2973,K-2977,S-1579,S-1677,S-2130 |
| 23 | K-2428 | LEVER REPLACEMENT KIT | | 1 | LOW TOWER | |
| 23 | K-2429 | LEVER REPLACEMENT KIT | | 1 | HIGH TOWER | |
| 23 | K-2978 | LEVER REPLACEMENT | | 1 | MID TOWER | |

| Item | Current Part | Description | Replaced Part | Qty. | Notes | Kits/Assys Where Needed |
|------|--------------|----------------------|---------------|------|------------|-------------------------|
| | | KIT | | | | |
| 24 | S-1579 | SHIFT TOWER ASSY | | 1 | HIGH TOWER | |
| 24 | S-1677 | SHIFT TOWER ASSY | | 1 | LOW TOWER | |
| 24 | S-1967 | SHIFT TOWER ASSY | | 1 | MID TOWER | |
| 33 | S-2129 | SHIFT LEVER HSG ASSY | | 1 | LOW TOWER | |
| 33 | S-2130 | SHIFT LEVER HSG ASSY | S - 2053 | 1 | HIGH TOWER | |
| 33 | S-2519 | SHIFT LEVER HSG ASSY | S - 2919 | 1 | MID TOWER | |

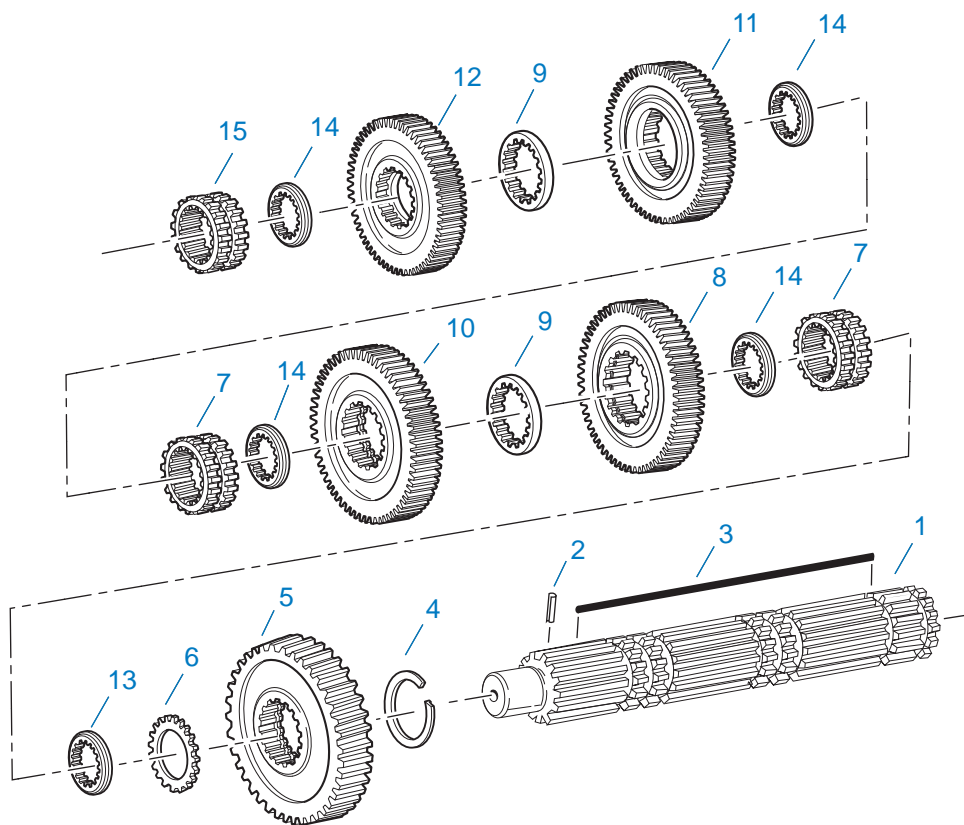


10438A-08-01

MAINSHAFT & SYNCHRO(AUX)

| Item | Current Part | Description | Replaced Part | Qty. | Notes | Kits/Assys Where Needed |
|------|--------------|--------------------|--------------------------|------|----------------|---|
| 1 | 4300907 | SLIDING CLUTCH | | 1 | | |
| 2 | X-7-1007 | SCREW | | 1 | 5/8"-18X1-3/4" | |
| 3 | 4301843 | RETAINER | | 1 | | |
| 4 | 4303422 | SPLITTER GEAR | 4303421 ,4303423 | 1 | | |
| 5 | 4300902-BOX | TAPERED ROLLER BRG | 4300902 | 1 | | K-3339,K-3340,K-3749,K-3913 |
| 6 | 4301844 | BEARING SLEEVE | | 1 | | K-3749,K-3913 |
| 8 | 4303424 | SNAP RING | | 1 | | K-3339,K-3340,K-3749,K-3913 |
| 9 | 14897 | SPRING | | 3 | | K-3327,K-3339,K-3340,K-3492,K-3497,K-3749 |
| 10 | A-7331 | SYNCHRONIZER ASSY | 4304396 4304397 A - 5917 | 1 | HI RANGE | K-3492,K-3497,K-3749 |

| Item | Current Part | Description | Replaced Part | Qty. | Notes | Kits/Assys Where Needed |
|------|--------------|----------------------------|-------------------|------|----------|-----------------------------|
| 11 | 4301840 | SLIDING CLUTCH | 4303386 | 1 | | K-3497,K-3749 |
| 12 | A-7254 | SYNCHRONIZER ASSEMBLY | A - 4937 A - 5876 | 1 | LO RANGE | K-3492,K-3497,K-3749 |
| 13 | 4303705 | MAINSHAFT | | 1 | | |
| 14 | 4301842 | WASHER | | 1 | | K-3749 |
| 15 | 4301795 | REDUCTION GEAR | 4301794 | 1 | | |
| 16 | 4300912 | SPACER | | 1 | | K-3749 |
| 17 | 5556503-BOX | BEARING | 5556503 | 1 | | K-3339,K-3340,K-3749,K-3913 |
| 19 | K-4122 | HEX FLANGE CRIMPED NUT KIT | 4302321,4306520 | 1 | | K-3327,K-3749 |



10337B-10-96

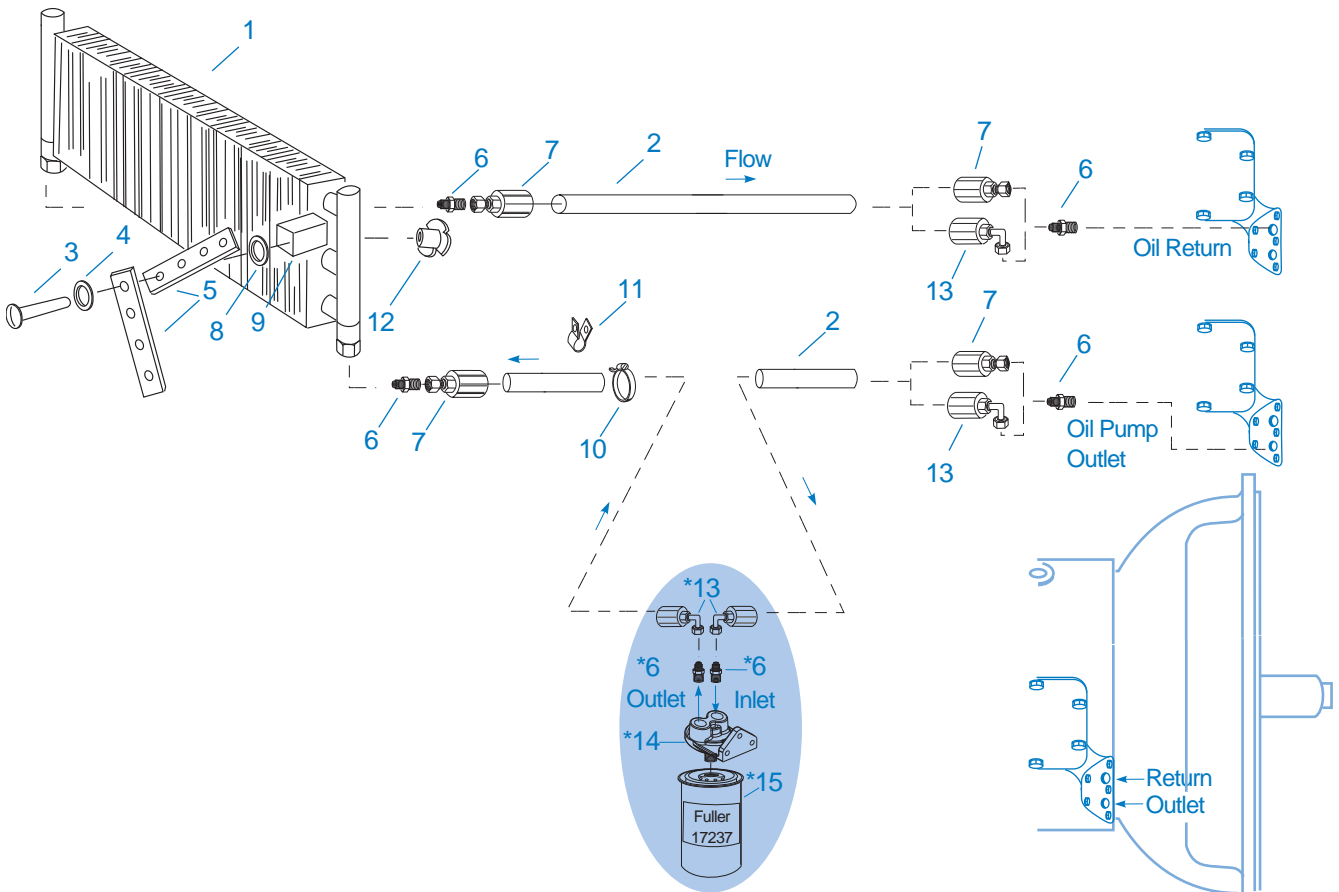
MAINSHAFT ASSY

| Item | Current Part | Description | Replaced Part | Qty. | Notes | Kits/Assys Where Needed |
|------|--------------|-----------------------------|-----------------------------------|------|-----------------------------|--|
| 0 | S-3052 | COMPLETE MAINSHAFT ASSEMBLY | | 1 | COMPLETE MAINSHAFT ASSEMBLY | |
| 1 | S-3108 | MAINSHAFT ASSY | 4302658 ,4303403 ,S - 2268,S-2560 | 1 | | |
| 2 | 62504 | ROLL PIN | | 1 | | S-3052,S-3108 |
| 3 | 4304615 | 3-SIDED KEY | 4300120 | 1 | | K-3749,S-3052 |
| 4 | 14750 | SNAP RING | | 1 | | K-2468,K-3327,K-3339,K-3340,K-3749,K-4125,S-3052 |
| 5 | 16756 | REVERSE GEAR-MAINSHAFT | 22408 | 1 | | S-3052 |
| 6 | 4302047 | SPACER | | 1 | | K-3327,K-3749,S-3052 |
| 7 | 16118 | SLIDING CLUTCH | | 2 | | S-3052 |
| 8 | 4303409 | LO GEAR-MAINSHAFT | 4303407 | 1 | | S-3052 |
| 9 | 4303603 | WASHER | 4302397 | 2 | | K-3327,K-3749,S-3052 |

| Item | Current Part | Description | Replaced Part | Qty. | Notes | Kits/Assys Where Needed |
|------|--------------|--------------------|------------------------------|------|-------|-------------------------|
| 10 | 4303701 | 1ST GEAR-MAINSHAFT | | 1 | | S-3052 |
| 11 | 4302670 | 2ND GEAR-MAINSHAFT | | 1 | | |
| 12 | 4304514 | OD GEAR-MAINSHAFT | 4302664 ,4303698 ,4304316 | 1 | | K-3749,S-3052 |
| 13 | 4300382 | WASHER .249-WHITE | | 1 | | K-3327,K-3749,S-3052 |
| 14 | 4302398 | WASHER | | 4 | | K-3327,K-3749,S-3052 |
| 15 | 4304317 | SLIDING CLUTCH | 22026 | 1 | | K-3339,S-3052 |

MISCELLANEOUS

| Item | Current Part | Description | Replaced Part | Qty. | Notes | Kits/Assys Where Needed |
|------|--------------|---------------------|---------------|------|----------------------------------|---|
| | 21628 | SHIFT DIAGRAM LABEL | 4300591 | 1 | | |
| | 71203 | SILICONE LUBE | | 1 | 8 OZ (236.59 CC)-FLEET SIZE | |
| | 71204 | ADHESIVE SEALANT | | 1 | 0.5 CC (SINGLE APPLICATION SIZE) | |
| | 71205 | SEALANT | | 1 | 2 CC (SINGLE APPLICATION SIZE) | K-3339,K-3749 |
| | 71206 | SILICONE LUBE | | 1 | 4 CC (SINGLE APPLICATION SIZE) | K-2428,K-2429,K-2978,K-3331,K-3341,K-3749 |



10525-4/92 Cooler

*Adding Oil Filter and parts as shown is optional.

Return / Outlet Location

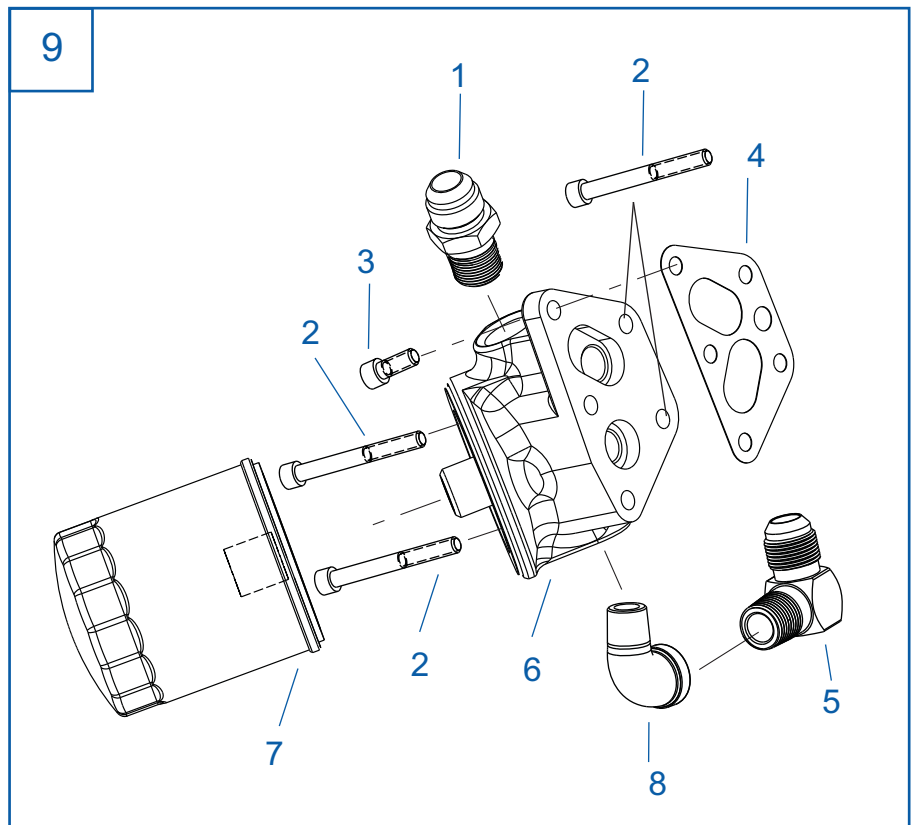
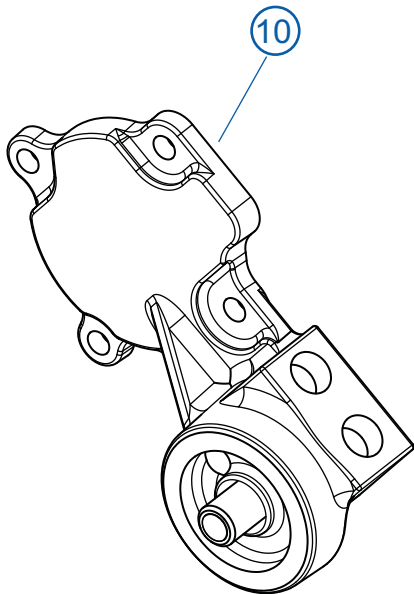
OIL COOLER

| Item | Current Part | Description | Replaced Part | Qty. | Notes | Kits/Assys Where Needed |
|------|--------------|-------------------|---------------|------|-----------------|-----------------------------|
| 1 | 18025 | OIL COOLER | | 1 | | K-1956 |
| 2 | 19424 | HOSE | | 1 | 25 FEET | K-1956 |
| 3 | X-8-535 | CAPSCREW | | 2 | 5/16"-16X2-1/2" | |
| 4 | X-3-506 | LOCKWASHER | | 2 | 5/16" | |
| 5 | 18211 | BRACKET | | 4 | | K-1956 |
| 6 | 19419 | CONNECTOR | | 6 | | K-1956,K-3441,K-3547,S-1404 |
| 7 | 19415 | SWIVEL | | 4 | | K-1956 |
| 8 | X-10-501 | WASHER | | 2 | 5/16" | |
| 9 | 18209 | PLUG-RUBBER MOUNT | | 2 | | K-1956 |
| 10 | 17190 | STRAP | | 8 | | K-1956 |
| 11 | 19423 | CLAMP | | 5 | | K-1956 |
| 12 | 18210 | NUT | | 2 | | K-1956 |

| Item | Current Part | Description | Replaced Part | Qty. | Notes | Kits/Assys Where Needed |
|------|--------------|----------------|---------------|------|-------|-------------------------|
| 13 | 19422 | ELBOW | | 4 | | K-1956 |
| 14 | S-1404 | OIL FILTER | 17238 | 1 | | |
| 15 | 17237 | FILTER ELEMENT | | 1 | | S-1404 |

11 Oil Filter Cover Kit
(not pictured)

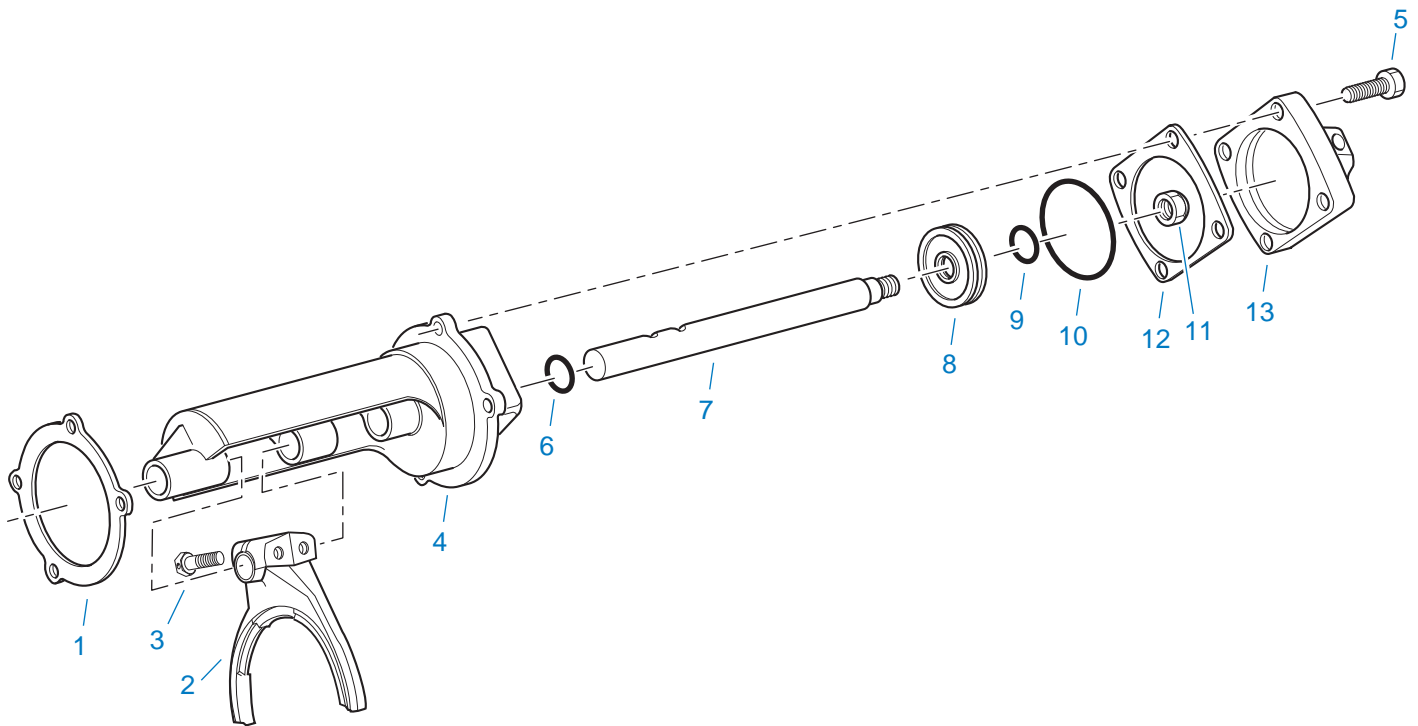
○ - Contained in Item #11



10539-3-00

OIL FILTER

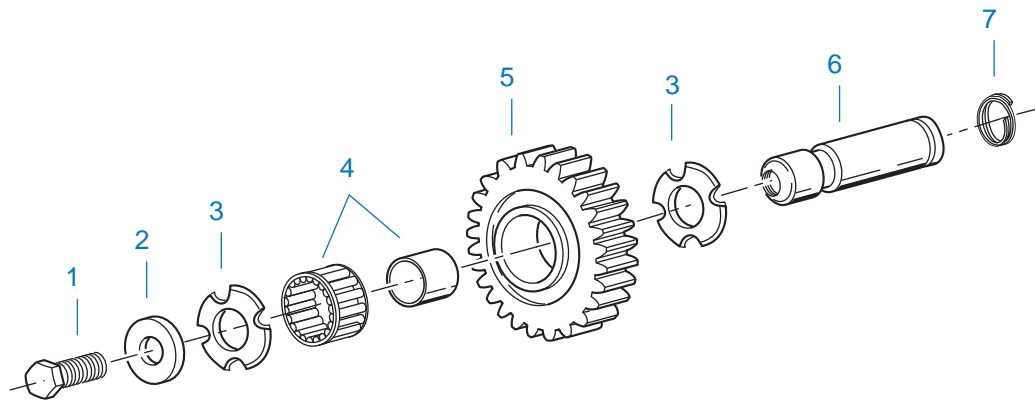
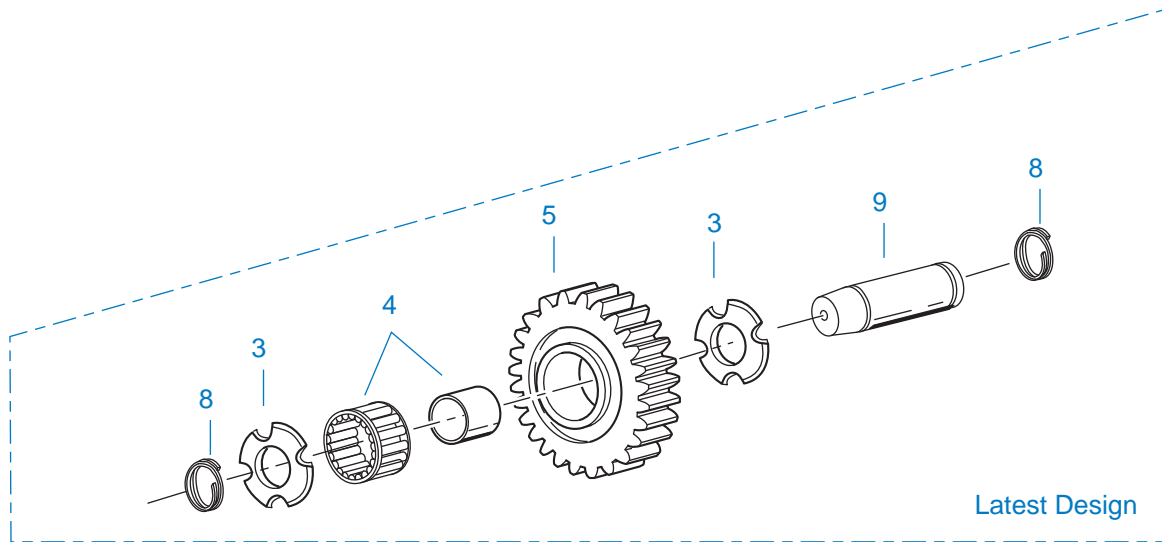
| Item | Current Part | Description | Replaced Part | Qty. | Notes | Kits/Assys Where Needed |
|------|--------------|-----------------------------|---------------|------|-----------------|-----------------------------|
| 1 | 19419 | CONNECTOR | | 1 | | K-1956,K-3441,K-3547,S-1404 |
| 2 | X-8-453 | SCREW | | 4 | | K-3441 |
| 3 | X-8-452 | SCREW | | 1 | | K-3441 |
| 4 | 4304820 | GASKET | | 1 | | K-3441 |
| 5 | 4301123 | ELBOW | | 1 | | K-3441 |
| 6 | K-3441 | OIL FILTER/ADAPTER KIT | A - 7174 | 1 | | |
| 7 | 4304827 | OIL FILTER ELEMENT | | 1 | | K-3441,K-3547 |
| 8 | 17007 | ELBOW | | 1 | | K-3441 |
| 9 | K-3441 | OIL FILTER/ADAPTER KIT | | 1 | | |
| 10 | A-7300 | AUX COUNTERSHAFT COVER ASSY | | 1 | | K-3547 |
| 11 | K-3547 | OIL FILTER COVER KIT | | 1 | CONTAINS A-7300 | |



11462-5-98

RANGE CYLINDER

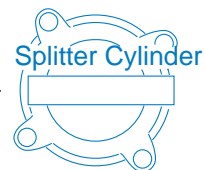
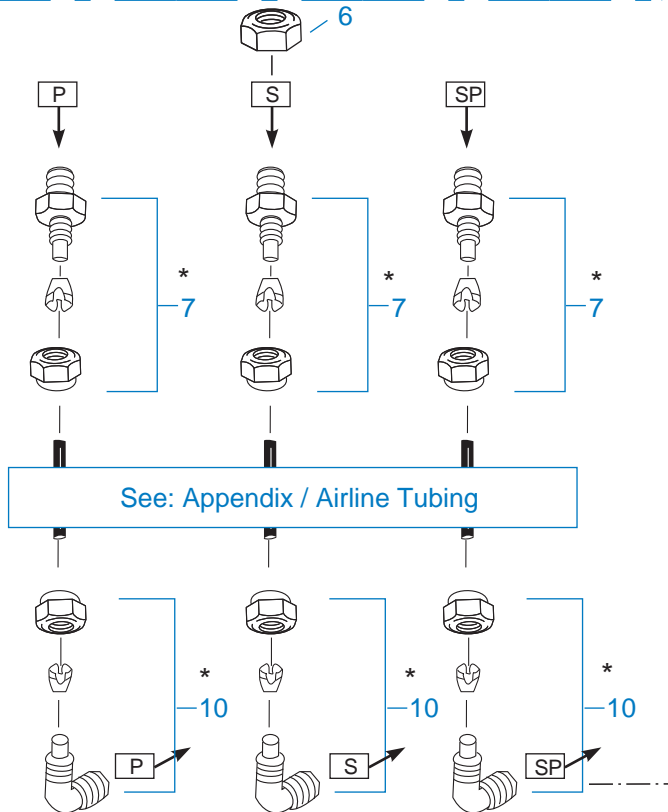
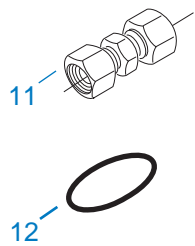
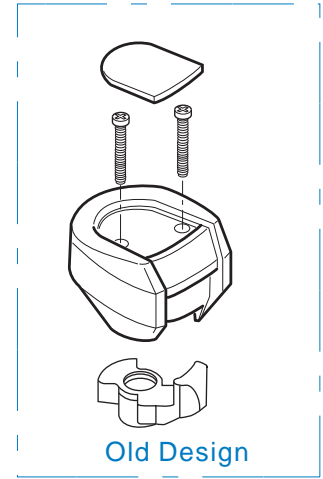
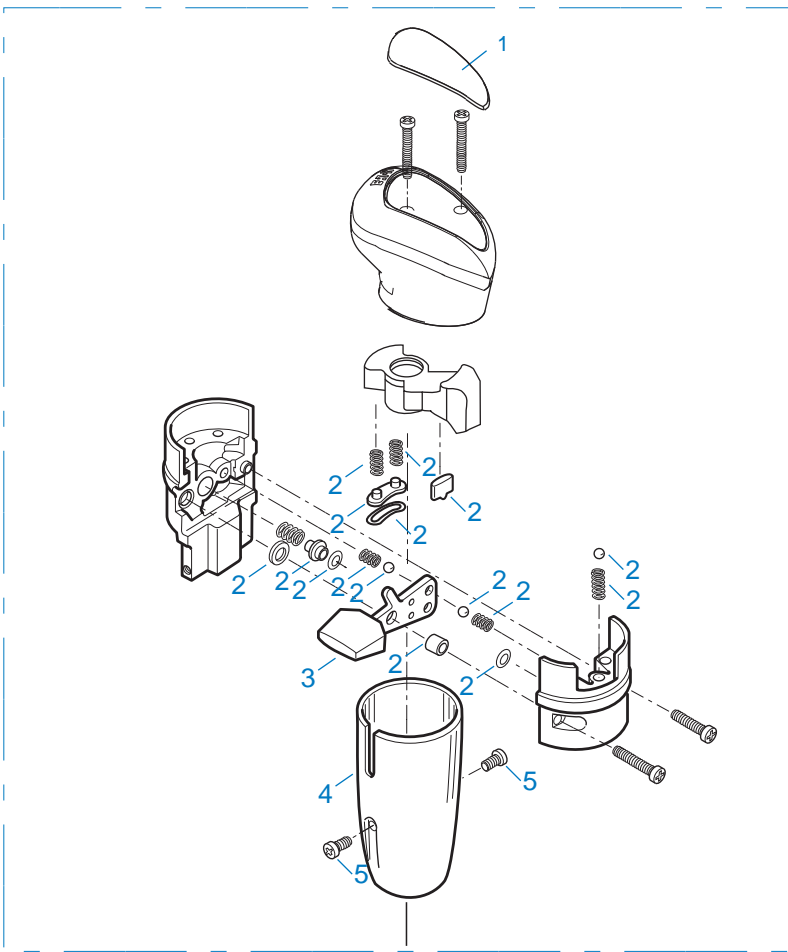
| Item | Current Part | Description | Replaced Part | Qty. | Notes | Kits/Assys Where Needed |
|------|--------------|---------------------|------------------|------|--------------------------------|-------------------------|
| 1 | 14347 | GASKET | | 1 | | K-3288,K-3341 |
| 2 | 22823 | SHIFT YOKE | 16775 | 1 | | |
| 3 | X-7-809 | BOLT | X 7 810 ,X 7 811 | 2 | 1/2"-20X1-3/4" | |
| 4 | A-6690 | RANGE CYLINDER ASSY | 4303595 | 1 | | |
| 5 | X-8L-607 | CAPSCREW | X 8 607 | 4 | 3/8"-16X2-1/4", 3/8"-16X2-1/4" | |
| 6 | 14765 | -O- RING | | 1 | | K-3341 |
| 7 | 4303596 | YOKE BAR | | 1 | | |
| 8 | 14341 | PISTON | 23353 | 1 | | |
| 9 | 14345 | -O- RING | | 1 | | K-3341 |
| 10 | 14344 | -O- RING | | 1 | | K-3341 |
| 11 | X-1-1010 | NUT | | 1 | 5/8"-18 | |
| 12 | 22826 | GASKET | | 1 | | K-3288,K-3341 |
| 13 | 4303926 | COVER | | 1 | | |



11382-3-97 RI

REVERSE IDLER

| Item | Current Part | Description | Replaced Part | Qty. | Notes | Kits/Assys Where Needed |
|------|--------------|----------------------|-------------------------|------|---------------|-------------------------|
| 1 | X-7-1008 | CAPSCREW | | 2 | 5/8"-18X1-1/4 | |
| 2 | 14283 | WASHER | | 2 | | |
| 3 | 4302982 | WASHER | 14282 | 4 | | K-3209 |
| 4 | 14287 | BEARING | 4305020 | 2 | | K-3339,K-3340,K-3749 |
| 5 | 16757 | REVERSE IDLER GEAR | 22409 | 2 | | |
| 6 | K-3209 | IDLER SHAFT REPL KIT | 16405 ,4302981 ,4305513 | 2 | | |
| 7 | 4303336 | RETAINING RING | | 2 | | K-3209,K-3749 |
| 8 | 4303336 | RETAINING RING | | 4 | | K-3209,K-3749 |
| 9 | 4305513 | IDLER SHAFT | | 2 | | K-3209 |

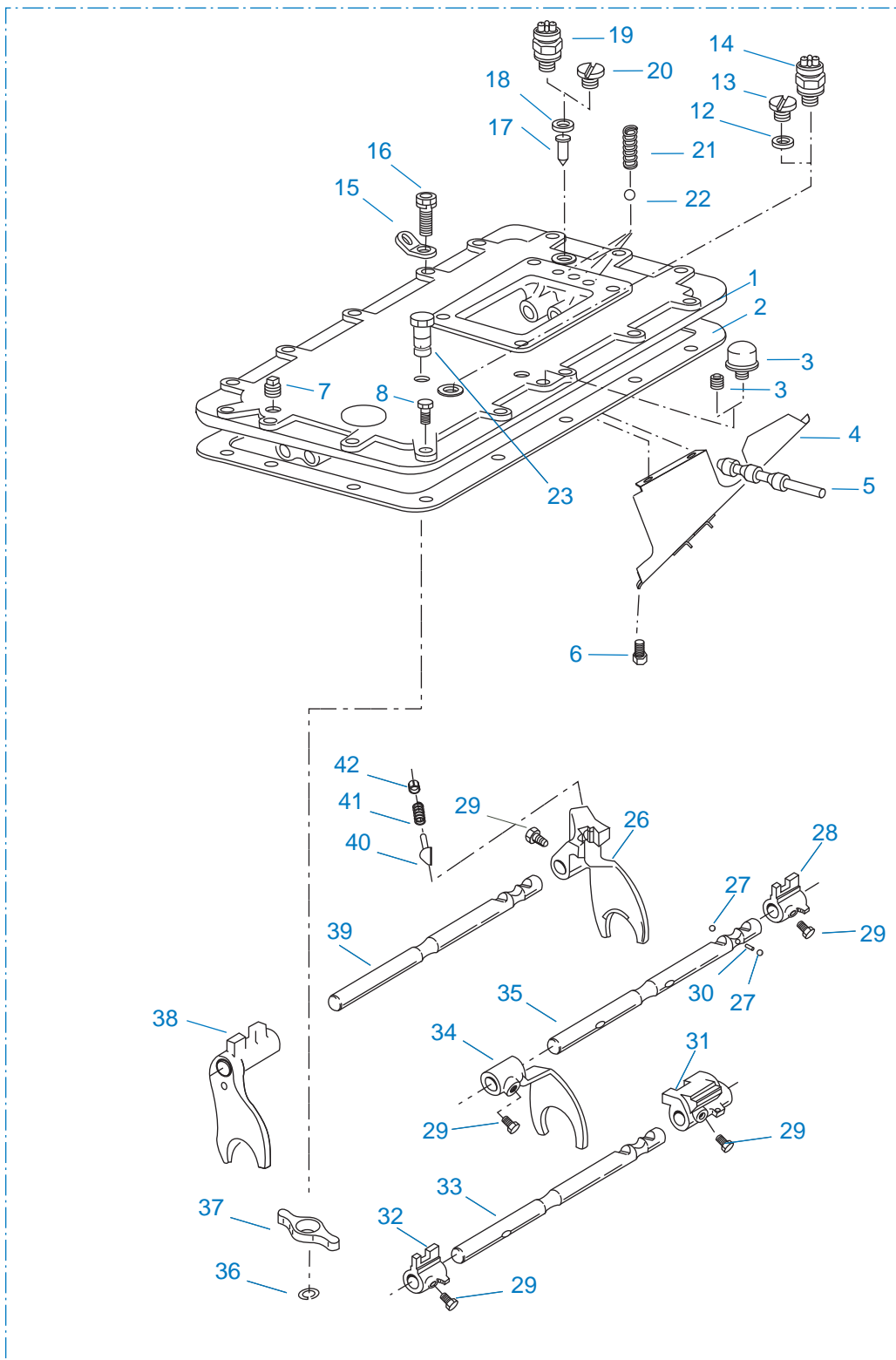


10103B-5-98 RRV - 3

*For Connector and Elbow Assy component information see Appendix.

ROADRANGER VALVE

| Item | Current Part | Description | Replaced Part | Qty. | Notes | Kits/Assys Where Needed |
|------|--------------|-------------------------|---------------|------|---|-------------------------|
| 1 | 5586100 | MEDALLION, LOGO | | 1 | (LATEST DESIGN) FULLER LOGO ONLY | A-6918 |
| 1 | 5586114 | SHIFT DIAGRAM MEDALLION | | 1 | RTLO-W/SHIFT PATTERN | S-2588 |
| 2 | K-3191 | MASTER VALVE REPAIR KIT | | 1 | FOR A-6918 VALVE | |
| 3 | 20495 | LEVER | | 1 | | A-6918 |
| 4 | 20112 | COVER | | 1 | | A-6918 |
| 5 | X-8-213 | SCREW | X 8 202 | 1 | 8-32X3/8" | |
| 6 | X-9-802 | NUT | | 1 | 1/2"-13 | |
| 7 | 84001 | CONNECTOR ASSY | 82501 | 3 | 1/8" TUBE-1/16" NPTF | |
| 7 | 84003 | CONNECTOR ASSY | 82503 | 3 | 5/32" TUBE-1/16" NPTF | |
| 7 | 84005 | CONNECTOR ASSY | | 3 | "PUSH-TO-CONNECT" 5/32" TUBE-1/16" NPTF | S-2588 |
| 10 | 85001 | ELBOW ASSY | 84501 | 3 | 5/32" TUBE-1/8" NPTF | |
| 10 | 85002 | ELBOW ASSY | 84502 | 3 | 1/8" TUBE-1/8" NPTF | |
| 10 | 85003 | ELBOW ASSY | | 3 | "PUSH-TO-CONNECT" 5/32" TUBE-1/8" NPTF | K-3331,K-3339,K-3749 |
| 11 | 84101 | UNION ASSY | | 1 | 1/8" TUBING | |
| 11 | 84102 | UNION ASSY | | 1 | 5/32" TUBING | |
| 11 | 84103 | UNION ASSY | | 1 | "PUSH-TO-CONNECT" 5/32" TUBING | |
| 12 | 13571 | -O- RING CLAMP | | 2 | | |
| 999 | A-6918 | ROADRANGER VALVE ASSY | A - 5013 | 1 | STANDARD-W/LOGO | |
| 999 | S-2588 | ROADRANGER VALVE ASSY | | 1 | RTLO-W/SHIFT PATTERN | |



999

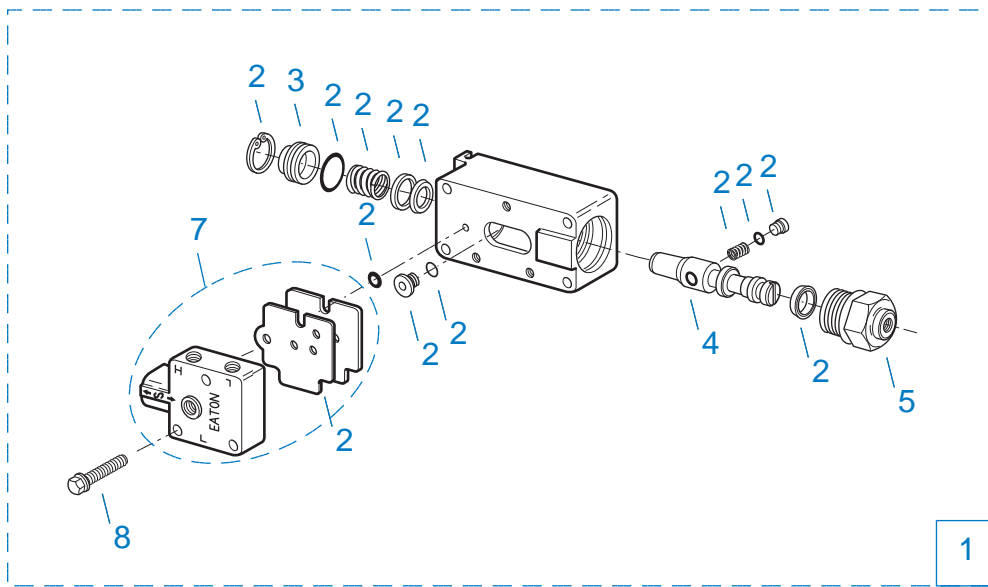
10242-2-94 X-Bar

SHIFT BAR HOUSING

| Item | Current Part | Description | Replaced Part | Qty. | Notes | Kits/Assys Where Needed |
|------|--------------|-------------|---------------|------|-------|-------------------------|
|------|--------------|-------------|---------------|------|-------|-------------------------|

| Item | Current Part | Description | Replaced Part | Qty. | Notes | Kits/Assys Where Needed |
|------|--------------|----------------------|---------------|------|--|--|
| 1 | S-2270 | SHIFT BAR HSG | 4302675 | 1 | HOUSING ONLY (RTLO) | |
| 2 | 4302676 | GASKET | 14918 | 1 | | K-3288,S-2269,S-2270,S-2271,S-2272,S-2910,S-2911 |
| 3 | 4304602 | BREATHER | 23605 | 1 | 1/4" NPT | K-3749 |
| 3 | X-12-404 | PIPE PLUG | | 1 | 1/4" NPT | |
| 4 | 20070 | OIL TROUGH | | 1 | WILL CAUSE INTERFERENCE ON UNITS BUILT WITH THE FORCED LUBRICATION SYSTEM. | S-2271,S-2272 |
| 5 | 20332 | AIR VALVE SHAFT | 17177 | 1 | | S-2271,S-2272,S-2910,S-2911 |
| 6 | X-8-423 | CAPSCREW | | 2 | NOT TO BE USED ON UNITS BUILT WITH THE FORCED LUBRICATION SYSTEM. | |
| 7 | X-12-603 | PIPE PLUG | X12 602 | 1 | 3/8" NPT | |
| 8 | X-8L-609 | CAPSCREW | | 1 | 3/8"-16X1-3/4" | |
| 12 | 17179 | GASKET | | 1 | | S-2269,S-2270,S-2271,S-2272,S-2910,S-2911 |
| 13 | 4303655 | PLUG | 17178 | 1 | | S-2269,S-2270,S-2271,S-2272,S-2910,S-2911 |
| 14 | 22941 | NEUTRAL LIGHT SWITCH | 12639 | 1 | SWITCH NORMALLY CLOSED | |
| 15 | 20815 | LIFTING EYE | 17105 | 2 | | S-2783 |
| 16 | X-8C-6109 | CAPSCREW | | 2 | 3/8"-16X1-1/4" USE TO ATTACHED COOLER TO SHIFT BAR HOUSING | |
| 16 | X-8L-602 | CAPSCREW | | 2 | 3/8"-16X1-1/2" | |
| 16 | X-8L-604 | CAPSCREW | | 13 | 3/8"-16X1-1/4" OR USE 11 PCS OF X-8L-604 WITH 2 PCS OF X-8L-602 | K-3547 |
| 17 | 15899 | PIN | | 1 | | S-2269,S-2270,S-2271,S-2272,S-2910,S-2911 |
| 18 | 15900 | GASKET | | 1 | | S-2269,S-2270,S-2271,S-2272,S-2910,S-2911 |
| 19 | 22940 | REVERSE LIGHT SWITCH | 16830 | 1 | SWITCH NORMALLY OPEN | |
| 20 | 4303656 | PLUG | 15917 | 1 | | S-2269,S-2270,S-2271,S-2272,S-2910,S-2911 |
| 21 | 15918 | SPRING | | 3 | | K-3327,K-3339,K-3749,S-2271,S-2272,S-2910,S-2911 |

| Item | Current Part | Description | Replaced Part | Qty. | Notes | Kits/Assys Where Needed |
|------|--------------|--------------------|---------------|------|---|------------------------------------|
| 22 | X-14-800 | STEEL BALL | | 3 | 1/2" | |
| 23 | K-3104 | ACTUATOR PIN KIT | 4303287 | 1 | | K-3749 |
| 26 | 16131 | SHIFT YOKE | | 1 | REVERSE/LO | S-2272,S-2910 |
| 27 | X-14-1200 | STEEL BALL | | 2 | 3/4" | |
| 28 | 14658 | SHIFT BLOCK | | 1 | 1ST/2ND | S-2272,S-2910 |
| 29 | 3220 | LOCKSCREW | | 5 | | S-2271,S-2272,S-2910,S-2911 |
| 30 | 1634 | INTERLOCK PIN | | 1 | | K-3327,S-2271,S-2272,S-2910,S-2911 |
| 31 | 19063 | SHIFT BLOCK | | 1 | 3RD/OD | S-2272,S-2910 |
| 32 | 20120 | SHIFT BLOCK | 18924 | 1 | 3RD/OD | S-2271,S-2272,S-2910,S-2911 |
| 33 | 18928 | YOKE BAR | 4302760 | 1 | 3RD/OD | S-2272,S-2910 |
| 34 | 18922 | SHIFT YOKE | | 1 | 1ST/2ND | S-2271,S-2272,S-2910,S-2911 |
| 35 | 18927 | YOKE BAR | | 1 | 1ST/2ND | S-2272,S-2910 |
| 36 | 4302070 | SNAP RING | | 1 | | K-3104,S-2271,S-2272,S-2910,S-2911 |
| 37 | 4303225 | ACTUATOR | | 1 | | S-2271,S-2272,S-2910,S-2911 |
| 38 | 4305575 | SHIFT YOKE | 20450 | 1 | 3RD/OD | K-3749,S-2271,S-2272,S-2910,S-2911 |
| 39 | 18926 | YOKE BAR | | 1 | REVERSE/LO | S-2272,S-2910 |
| 40 | 10019 | PLUNGER | | 1 | | S-2271,S-2272,S-2910,S-2911 |
| 41 | 6392 | SPRING | | 1 | | K-3327,S-2271,S-2272,S-2910,S-2911 |
| 42 | 8968 | PLUG | | 1 | | S-2271,S-2272,S-2910,S-2911 |
| 999 | S-2272 | SHIFT BAR HSG ASSY | 4302675 | 1 | COMPLETE (RTLO) FOR UNITS BUILT PRIOR TO THE FORCED LUBRICATION SYSTEM DESIGN | |
| 999 | S-2910 | SHIFT BAR HSG ASSY | 4302675 | 1 | COMPLETE (RTLO) FOR UNITS BUILT WITH THE FORCED LUBRICATION SYSTEM DESIGN | |

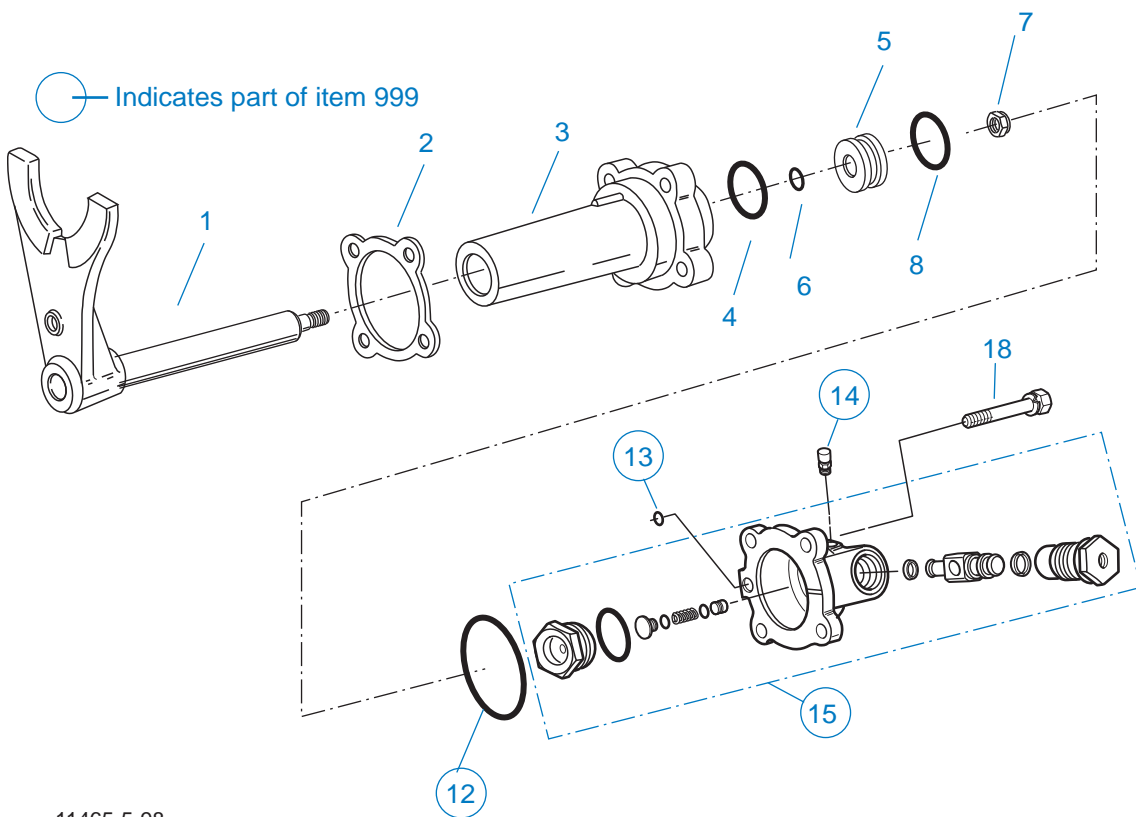


10120-10-97 A-5000 SV

2 Repair Kit

SLAVE VALVE - A-5000

| Item | Current Part | Description | Replaced Part | Qty. | Notes | Kits/Assys Where Needed |
|------|--------------|------------------------|---------------|------|------------------|-------------------------|
| 1 | A-5000 | SLAVE VALVE ASSY | 20850 | 1 | | K-3749 |
| 2 | K-1935 | REPAIR KIT-SLAVE VALVE | | 1 | FOR A-5000 VALVE | |
| 3 | 20855 | PLUG | | 1 | | A-5000 |
| 4 | 20854 | PISTON | | 1 | | A-5000 |
| 5 | 20849 | CAP | 15131 | 1 | | A-5000 |
| 7 | S-1516 | CAP ASSY | 20851 ,20853 | 1 | | |
| 8 | X-8C-413 | CAPSCREW | | 3 | 1/4"-20X1-1/2" | |



11465-5-98

SPLITTER CYLINDER

| Item | Current Part | Description | Replaced Part | Qty. | Notes | Kits/Assys Where Needed |
|------|--------------|-----------------------|-------------------------------------|------|-------|-------------------------|
| 1 | A-7012 | SPLITTER YOKE ASSY | A - 6304 ,A - 6892 | 1 | | |
| 2 | 4303583 | GASKET | | 1 | | K-3288,K-3341 |
| 3 | 4303582 | SPLITTER CYLINDER | | 1 | | |
| 4 | 21208 | -O- RING | | 1 | | K-3341 |
| 5 | 4301964 | PISTON | | 1 | | |
| 6 | 13653 | -O- RING | | 1 | | K-3331,K-3341,K-3749 |
| 7 | X-1-805 | NUT | | 1 | | |
| 8 | 21209 | -O- RING | | 1 | | K-3341 |
| 12 | 5568534 | -O- RING | | 1 | | K-3331,K-3341,K-3749 |
| 13 | 13653 | -O- RING | | 1 | | K-3331,K-3341,K-3749 |
| 14 | X2014210 | BREATHER | 7935 | 1 | | |
| 15 | K-3331 | SPLITTER VLV REPL KIT | 4300927 ,4304031 ,4304032 ,A - 6862 | 1 | | |

| Item | Current Part | Description | Replaced Part | Qty. | Notes | Kits/Assys Where Needed |
|------|--------------|-----------------------|--|------|-----------------|-------------------------|
| 18 | X-8L-540 | CAPSCREW | | 4 | 5/16"-18X1-7/8" | |
| 999 | K-3331 | SPLITTER VLV REPL KIT | 4300927 ,4304031 ,4304032 ,A - 6862 | 1 | | |
