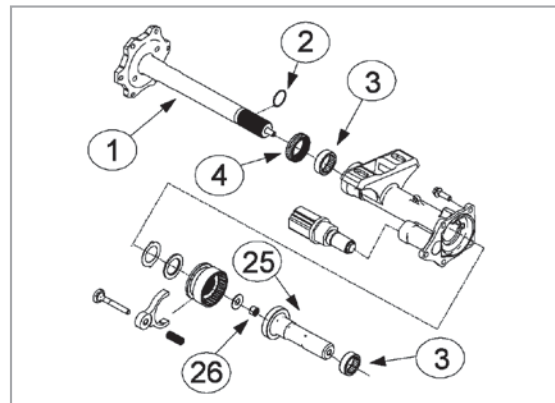
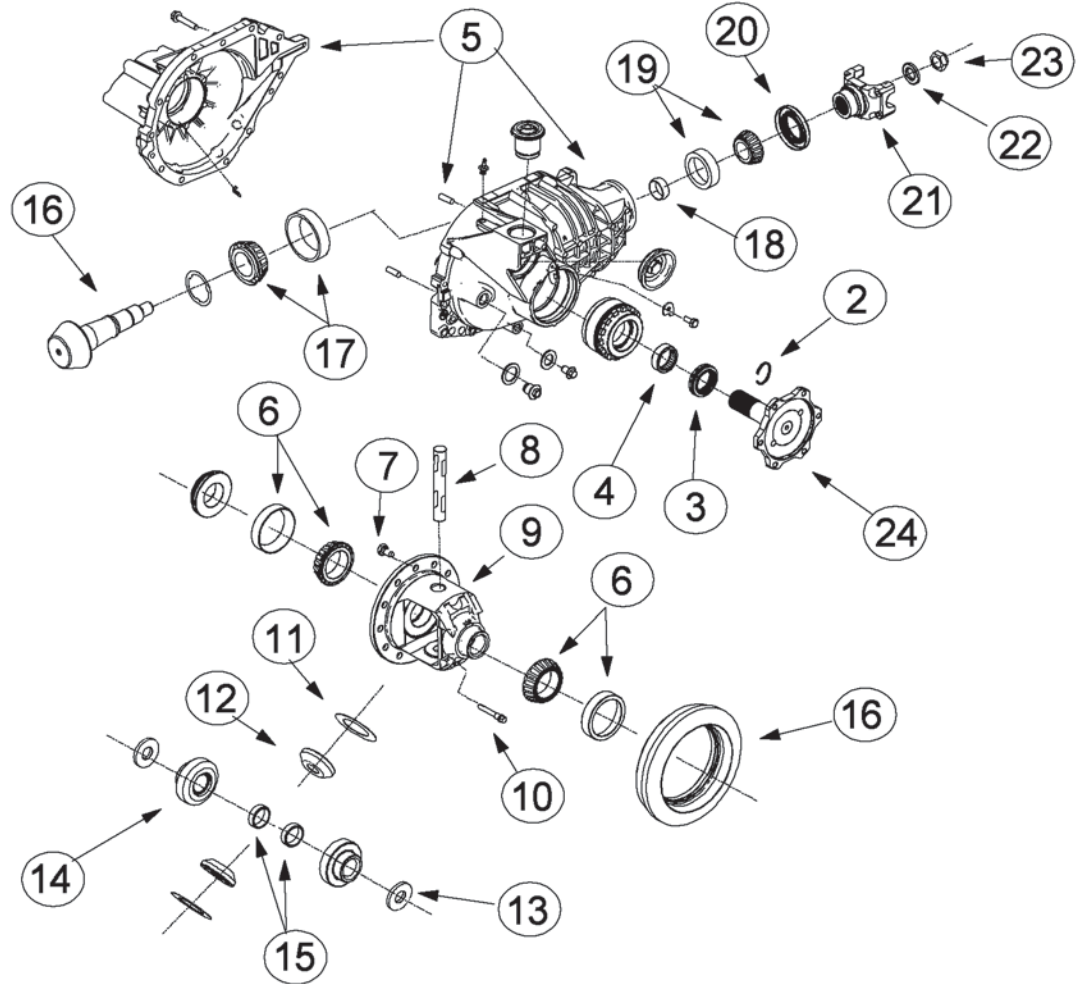
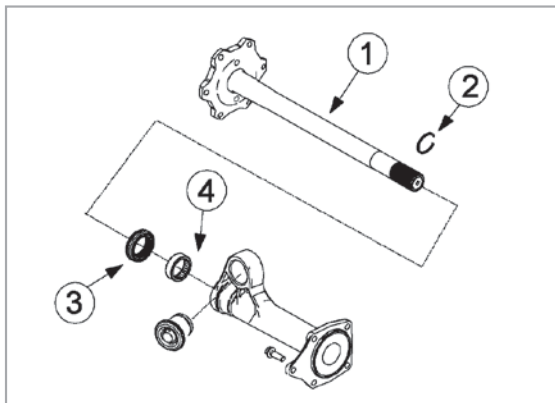




GM 9.25" FRONT AXLE



4WD



AWD

ILL #	AAM PART NUMBER	OE PART NUMBER	DESCRIPTION	REQ	USAGE	MODEL YEAR
1	40057072	19206697	AXLE SHAFT (517 MM; 33 TOOTH; 6 BOLT)	1	AWD	2008+
1	40039201	15801500	AXLE SHAFT (357 MM; 33 TOOTH; 6 BOLT) RH	1	4WD	1999+
2	74001878	15521878	AXLE SHAFT RETAINING RING	2	4WD	1988+
3	40051283	19169124	OUTPUT SEAL	2	4WD & AWD	1997+
4	74001873	15521873	ROLLER BEARING ASM	2	4WD & AWD	1998+
5			CARRIER HOUSING		FOR REFERENCE ONLY	
6	74005123	11505123	DIFF. CASE BEARING ASM (CUP & CONE)	2	4WD & AWD	1988+
7	74002703	14012703	RING GEAR BOLT W/ ADHESIVE	12	4WD & AWD	1988+
8	AVAILABLE IN KIT ONLY		PINION SHAFT	1	4WD & AWD	1988+
9	74032695	14012695	DIFFERENTIAL OPEN CASE (WITHOUT INTERNALS)	1	4WD & AWD	1988+
9	40035046		DIFFERENTIAL OPEN CASE ASSEMBLY (WITH INTERNALS)	1	GMT800/ 900/H2	2005+
10	AVAILABLE IN KIT ONLY		PINION SHAFT LOCK SCREW	1	4WD & AWD	1988+
11	AVAILABLE IN KIT ONLY		PINION THRUST WASHER	2	4WD & AWD	1988+
12	AVAILABLE IN KIT ONLY		PINION GEAR	2	4WD & AWD	1988+
13	AVAILABLE IN KIT ONLY		SIDE THRUST WASHER	2	4WD & AWD	1988+
14	AVAILABLE IN KIT ONLY		SIDE GEAR	2	4WD & AWD	1988-2007
14	AVAILABLE IN KIT ONLY		SIDE GEAR	2	4WD & AWD	2008+
15	AVAILABLE IN KIT ONLY		SIDE GEAR SPACER	2	4WD & AWD	1988+
16	40059512		RING & PINION GEAR SET (3.42 RATIO; 2 CUT)	1	4WD	1988+
16	40058536		RING & PINION GEAR SET (3.73 RATIO; 2 CUT)	1	4WD	1988+
16	40072307		RING & PINION GEAR SET (4.10 RATIO; 2 CUT)	1	4WD & AWD	1988+
16	26060058		RING GEAR & PINION SET (4.56 RATIO; 2 CUT)	1	4WD	1988+
17	74007108	457108	LARGE PINION BEARING (CUP & CONE)	1	4WD & AWD	1988+
18	74002691	14012691	COLLAPSIBLE SPACER	1	4WD & AWD	1988+
19	74007781	9417781	SMALL PINION BEARING ASM (CUP & CONE)	1	4WD & AWD	1988+
20	74007712	12471590	PINION SEAL	1	4WD & AWD	1997+
	40025925	88967027	PINION YOKE (1344 UJT; 4 FOOTED)	1	4WD & AWD	1988+
22	74007900	517900	PINION NUT WASHER	1	4WD & AWD	1988+
23	74003762	9783762	PREVAILING TORQUE PINION NUT	1	4WD & AWD	1988+
24	40057071		OUTPUT SHAFT (148 MM; 33 TOOTH; 6 BOLT) LH	1	GMT 900/H2	2009+
25	74021907	19121909	INNER OUTPUT SHAFT	1	4WD	1988+
26	74009615	26029615	INNER OUTPUT SHAFT BEARING ASM	1	4WD	1988+

AAM 925 FRONT AXLE IFS

VEHICLE REFERENCE GUIDE

- C TRUCK - 2 WHEEL DRIVE FULL-SIZE TRUCK & UTILITY
- K TRUCK - 4 WHEEL DRIVE FULL-SIZE TRUCK & UTILITY GMT800/900



GM 9.25" FRONT AXLE

AAM 925 FRONT AXLE IFS

74010011 9.25" FRONT CLAMSHELL - MASTER INSTALL KIT
Sierra, Silverado, Suburban, Yukon XL, Avalanche, H2
MODEL YEAR 1999 to Current

AAM PART #	O.E. PART #	DESCRIPTION	QTY
40051283	19169124	OUTPUT SEAL	2
40040610		SNAP RING	2
40026655		VENT CONNECTOR	1
26036835		TUBE BOLT W/ WASHER & ADHESIVE	5
26041516		ROLLER BEARING ASM I/O	1
15521875		DIFFERENTIAL ADJUSTER LOCK	1
		OUTPUT SHAFT SHIM	20
14045736		CARRIER BOLT W/ WASHER & ADHESIVE	11
		PINION SHIM	18
26058815		DRAIN PLUG W/ MAGNET	1
15521875		DIFFERENTIAL ADJUSTER LOCK	1
74002691	14012691	COLLAPSIBLE SPACER	1
40051849		THRUST WASHER	1
14042602		FILL/DRAIN PLUG WASHER	1
74003762	9783762	PREVAILING TORQUE PINION NUT	1
74002703	14012703	RING GEAR BOLT W/ ADHESIVE	12
26031703		SNAP RING	1
15521872		SNAP RING	1
11503877		ADJUSTER BOLT	1
15530296		ROLLER BEARING ASM I/O	1
40007712		PINION SEAL	1
476753		FILL PLUG	1
46002040		VENT CONNECTOR - H2 ONLY	1
40027570		VIEW PLUG ASSEMBLY	1
7401873	15521873	ROLLER BEARING ASM	2
360570		DOWEL PIN	2
11503963		ADJUSTER BOLT LOCK WASHER	1
74007900	517900	PINION NUT WASHER	1
14042602		FILL/DRAIN PLUG WASHER	1

74067005 9.25" FRONT CLAMSHELL - MASTER BEARING KIT
Silverado, Sierra, Yukon XL, Suburban, Avalanche
MODEL YEAR 1988 to 2011

AAM PART #	O.E. PART #	DESCRIPTION	QTY
454459		PINION HEAD BEARING ROLLER	1
457258		PINION HEAD BEARING RACE	1
9417782		PINION TAIL BEARING ROLLER	1
9417783		PINION TAIL BEARING RACE	1
74003762	9783762	PREVAILING TORQUE PINION NUT	1
74007900	517900	PINION NUT WASHER	1
74002691	14012691	COLLAPSIBLE SPACER	1
11505124		DIFF BEARING ROLLER	2
11505125		DIFF BEARING RACE	2
26064029		PINION SEAL	1

74047037 9.25" FRONT CLAMSHELL - 33 TOOTH - DIFFERENTIAL GEAR KIT
Sierra, Silverado, Suburban, Yukon XL, Avalanche, H2 2500
MODEL YEAR 1988 to 2006

AAM PART #	O.E. PART #	DESCRIPTION	QTY
		PINION GEAR	2
		PINION THRUST WASHER	2
		SIDE GEAR	2
		PINION SHAFT	1
		SIDE THRUST WASHER	2
		PINION SHAFT LOCK SCREW	1

74020008 9.25" FRONT CLAMSHELL - PINION SEAL KIT
Sierra, Silverado, Suburban, Yukon XL, Avalanche, H2
MODEL YEAR 1999 to Current

AAM PART #	O.E. PART #	DESCRIPTION	QTY
40007712		PINION SEAL	1
74002691	14012691	COLLAPSIBLE SPACER	1
74003762	9783762	PREVAILING TORQUE PINION NUT	1
74007900	517900	PINION NUT WASHER	1

74050005 9.25" FRONT CLAMSHELL - OUTPUT SHAFT SEAL KIT
Sierra, Silverado, Suburban, Yukon XL, Avalanche, H2
MODEL YEAR 1997 to Current

AAM PART #	O.E. PART #	DESCRIPTION	QTY
40051283	19169124	OUTPUT SEAL	2
7401873	15521873	ROLLER BEARING ASM	2
26036835		TUBE BOLT W/ WASHER & ADHESIVE	5
26041516		ROLLER BEARING ASM I/O	1
40040610		SNAP RING	1
15530296		ROLLER BEARING ASM I/O	1
26031703		SNAP RING	1
40051849		THRUST WASHER	1

74080008 9.25" FRONT CLAMSHELL - DISCONNECT SHIFTER KIT
Sierra, Silverado, Suburban, Yukon XL, Avalanche
MODEL YEAR 2001 to Current

AAM PART #	O.E. PART #	DESCRIPTION	QTY
26036835		TUBE BOLT W/ WASHER & ADHESIVE	5
40029252		I/O AXLE SHAFT	1
26041516		ROLLER BEARING ASM I/O	1
40007547		SHIFTER FORK	1
40007173		ACTUATOR	1
		WASHER	20
15588371		RETURN SPRING	1
40058706		DISCONNECT SLEEVE	1
26031703		SNAP RING	2
40051849		THRUST WASHER	1
15530296		ROLLER BEARING ASM I/O	1